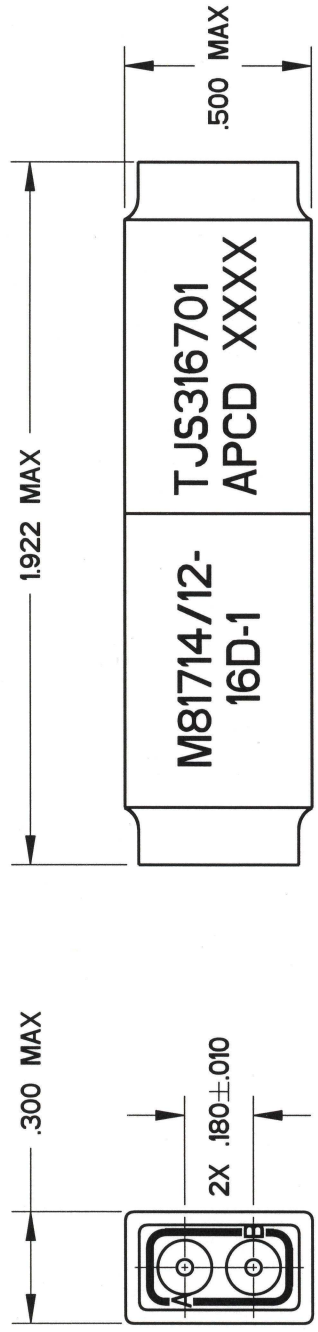
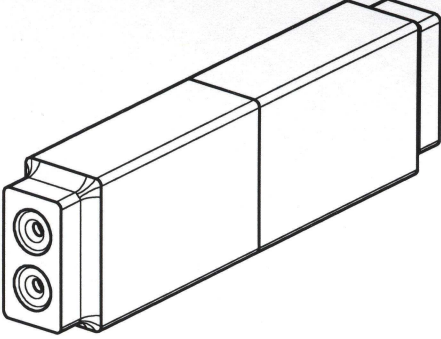


REV	ECN	APP'D
-	5882	<i>JR 2/1/06</i>



- NOTES:
- PART MEETS ALL REQUIREMENTS OF MIL-T-81714/12
 - MATERIALS:
GROMMET - SILICONE RUBBER, COLOR: BLUE
INSULATOR - THERMOPLASTIC
INTERNAL CONTACT - COPPER ALLOY
CONTACT RETAINER CLIPS - STAINLESS STEEL ALLOY
MODULE ACCEPTS M39029/1-102 PIN CONTACTS, SEE TABLE.

PART NO.	DESCRIPTION	P/N MARKING
TJS316601	CONTACTS NOT SUPPLIED	TJS316701
TJS316701	FIVE (5) CNP037000 INCLUDED	

TITLE	
TERMINAL JUNCTION SPLICE DOUBLE BUSSED, SIZE 16	

SIZE	DWG NO.
A	TJS316601_C
CODE:	SCALE:
58982	2:1
SHEET 1 OF 1	

<h2>Amphenol Pcd</h2> <p>SPECIFICATION DRAWING</p>	
DRWN	R. SWAINE 07/06/06
ENGR	<i>[Signature]</i> 7/13/06
APPD	<i>[Signature]</i> 2/12/06

DIMENSIONS	ANSI Y14.5M	TOLERANCES	PROJECTION	THIS DOCUMENT CONTAINS PROPRIETARY INFORMATION WHICH IS THE CONFIDENTIAL PROPERTY OF AMPHENOL PCD INC., PEABODY, MA
UNITS: INCHES	Pro/E FILE	.XX ±0.01 .XXX ±0.005 ANGLES ±0.5°		