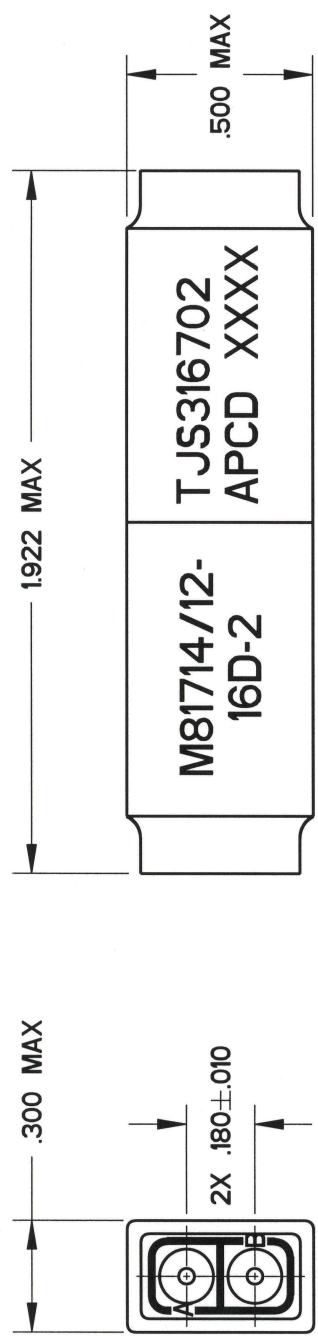
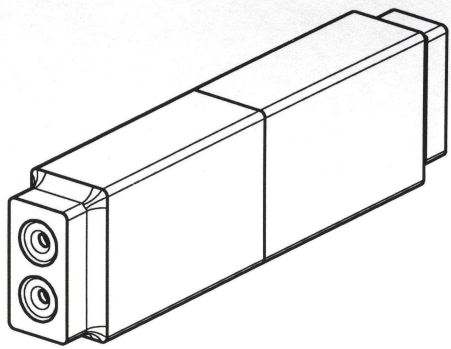


REV	ECN	APP'D
-	5882	APP'D 7-18-06



- NOTES:
- PART MEETS ALL REQUIREMENTS OF MIL-T-81714/12
  - MATERIALS:  
GROMMET - SILICONE RUBBER, COLOR: BLUE  
INSULATOR - THERMOPLASTIC  
INTERNAL CONTACT - COPPER ALLOY  
CONTACT RETAINER CLIPS - STAINLESS STEEL ALLOY  
MODULE ACCEPTS M39029/1-102 PIN CONTACTS, SEE TABLE.

PART NO.	DESCRIPTION	P/N MARKING
TJS316602	CONTACTS NOT SUPPLIED	TJS316702
TJS316702	FIVE (5) CNP037000 INCLUDED	

TITLE	
TERMINAL JUNCTION SPLICE DOUBLE UN-BUSSED, SIZE 16	

SIZE	DWG NO.
A	TJS316602_C
CODE:	SCALE:
58982	2:1
SHEET	OF
1	1

Amphenol Pcd SPECIFICATION DRAWING	
DRWN	R. SWAINE 07/06/06
ENGR	<i>R. Swaine</i>
APP'D	<i>7/13/06</i>
<i>7-18-06</i>	

DIMENSIONS	TOLERANCES	PROJECTION	THIS DOCUMENT CONTAINS PROPRIETARY INFORMATION WHICH IS THE CONFIDENTIAL PROPERTY OF AMPHENOL PCD INC., PEABODY, MA
ANSI Y14.5M	.XX ±0.01		
UNITS: INCHES	.XXX ±0.005		
Pro/E FILE	ANGLES ±0.5°		