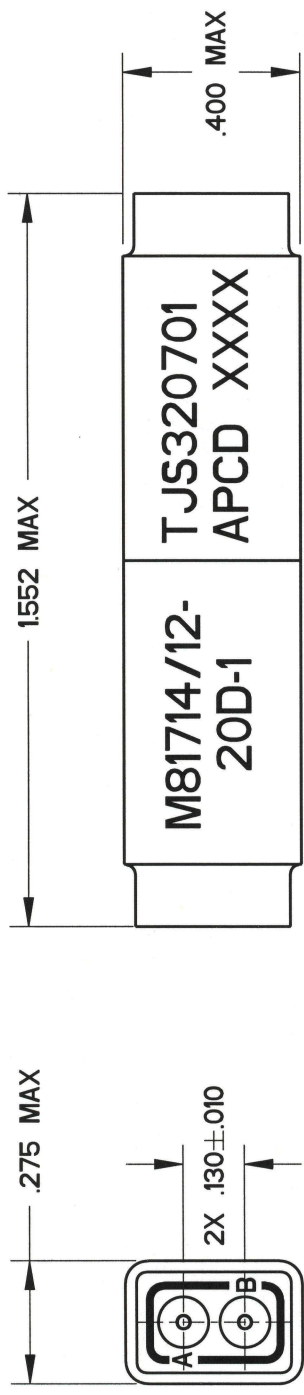
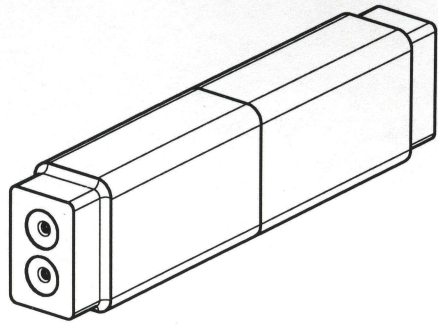


REV	ECN	APP'D
-	5882	<i>R 7/14/06</i>



M81714/12-20D-1
 TJS320701
 APCD XXXX

- NOTES:
- PART MEETS ALL REQUIREMENTS OF MIL-T-81714/12
 - MATERIALS:
 GROMMET - SILICONE RUBBER, COLOR: BLUE
 INSULATOR - THERMOPLASTIC
 INTERNAL CONTACT - COPPER ALLOY
 CONTACT RETAINER CLIPS - STAINLESS STEEL ALLOY
 - MODULE ACCEPTS M39029/1-101 PIN CONTACTS, SEE TABLE.

PART NO.	DESCRIPTION	P/N MARKING
TJS320601	CONTACTS NOT SUPPLIED	TJS320701
TJS320701	FIVE (5) CNP006000 INCLUDED	

TITLE
 TERMINAL JUNCTION SPLICE
 DOUBLE BUSSED, SIZE 20

Amphenol Pcd
 SPECIFICATION DRAWING

SIZE	DWG NO.	REV
A	TJS320601_C	-
CODE:	58982	SHEET 1 OF 1
	SCALE: 8:3	

DRWN R. SWAINE 06/29/06
 ENGR *R. Swaine*
 APPD *R. Swaine* 7/13/06
R. Swaine 7/18/06

DIMENSIONS	TOLERANCES	PROJECTION
ANSI Y14.5M UNITS: INCHES Pro/E FILE	.XX ±0.01 .XXX ±0.005 ANGLES ±0.5°	

THIS DOCUMENT CONTAINS PROPRIETARY INFORMATION WHICH IS THE CONFIDENTIAL PROPERTY OF AMPHENOL PCD INC., PEABODY, MA