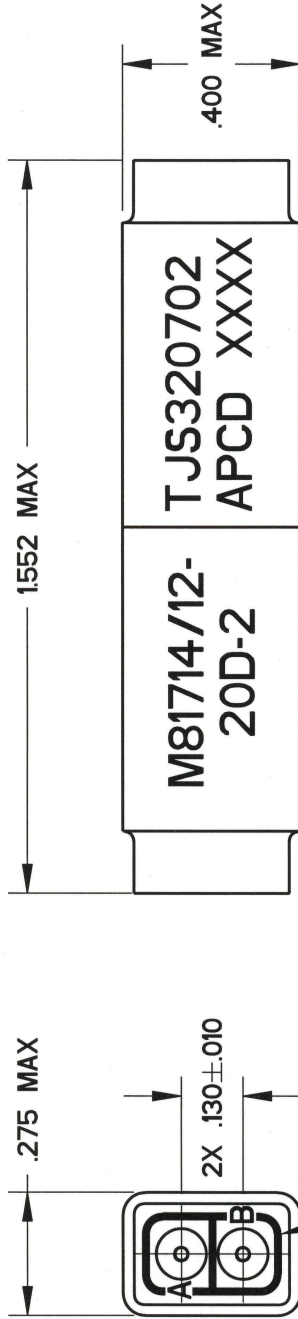
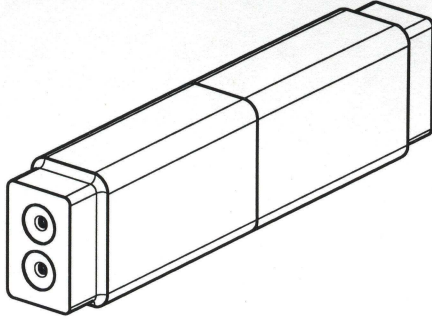


REV	ECN	APP'D
-	5882	7/18/06



- NOTES:
- PART MEETS ALL REQUIREMENTS OF MIL-T-81714/12
 - MATERIALS:
GROMMET - SILICONE RUBBER, COLOR: BLUE
INSULATOR - THERMOPLASTIC
INTERNAL CONTACT - COPPER ALLOY
CONTACT RETAINER CLIPS - STAINLESS STEEL ALLOY
 - MODULE ACCEPTS M39029/1-101 PIN CONTACTS, SEE TABLE.

PART NO.	DESCRIPTION	P/N MARKING
TJS320602	CONTACTS NOT SUPPLIED	TJS320702
TJS320702	FIVE (5) CNP006000 INCLUDED	

TITLE		TERMINAL JUNCTION SPLICE DOUBLE UNBUSSED, SIZE 20
SIZE	DWG NO.	REV
A	TJS320602_C	-
CODE:	58982	SCALE: 8:3
		SHEET 1 OF 1

Amphenol Pcd

SPECIFICATION DRAWING

DRWN

R. SWAINE 07/06/06

ENGR

R. Swaine 7/13/06
Swaine 7/18/06
 APPD

TOLERANCES

.XX ±0.01
 .XXX ±0.005
 ANGLES ±0.5°

PROJECTION



THIS DOCUMENT CONTAINS
 PROPRIETARY INFORMATION WHICH
 IS THE CONFIDENTIAL PROPERTY
 OF AMPHENOL PCD INC., PEABODY, MA

