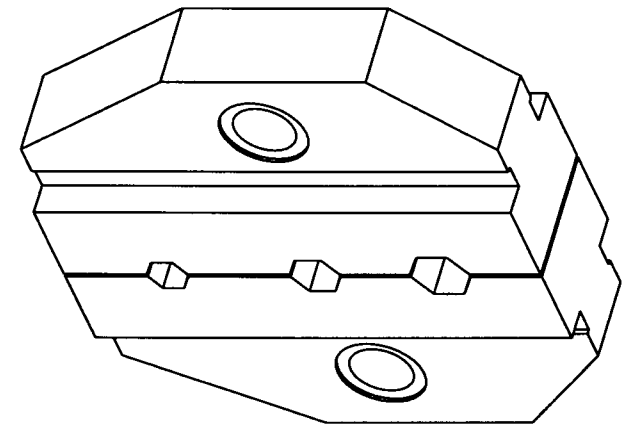
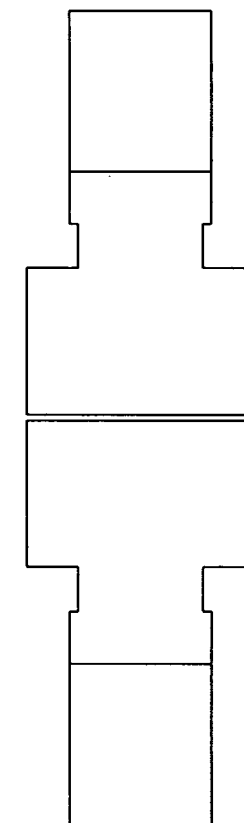
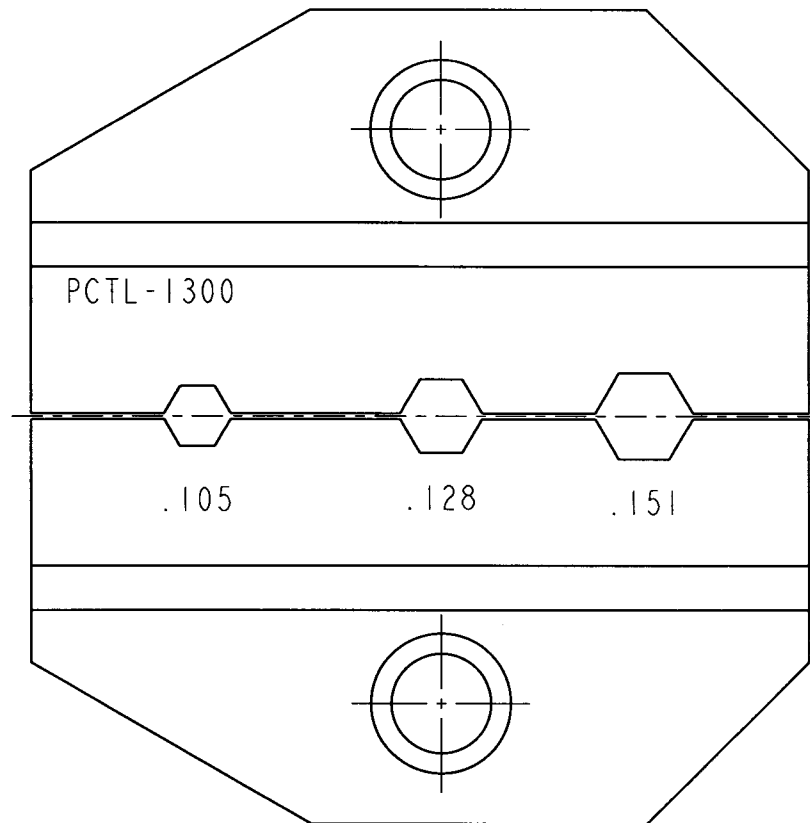


NOTES:

- 1. APPROVED SOURCE:
 IDEAL INDUSTRY
 BECKER PLACE
 SYCAMORE, ILL. 60178
 P/N# = 01-1101-1
 OUR P/N#- PCTL-1300

PCTL-1300		REVISIONS		
DRAWING NO.	REV	DESCRIPTION	DATE	ECO
THIRD ANGLE PROJ.	A	RELEASE TO MFG.	7/24/00	43430
				APPR CPM



SCALE 2.000

UNLESS OTHERWISE SPECIFIED, DIMENSIONS ARE IN INCHES AND TOLERANCES ARE: 2 PLACE DECIMAL 3 PLACE DECIMAL ANGLES ±.015 (0,381 mm) ±.005 (0,127 mm) ± 1°	MATERIAL	DRAWN C. McGRATH	DATE 13-Jul-00	TITLE HEX DIE SET .105, .128, .151	Amphenol Amphenol Corporation Communication and Network Products Division Danbury, CT U.S.A. 06810	
	REFERENCE EAR 967582-0 GEN# TOOL_DIESET1	ENGINEER T. AUBIN	DATE 13-Jul-00			APPROVED DATE 7/19/00
NOTICE - These drawings, specifications, or other data (1) are, and remain the property of Amphenol Corp. (2) must be returned upon request; and (3) are confidential and not to be disclosed to any person other than those to whom they are given by Amphenol Corp. The furnishing of these drawings, specifications, or other data by Amphenol Corp., or to any other person to anyone for any purpose is not to be regarded by implication or otherwise in any manner licensing, granting rights or permitting such holder or any other person to manufacture, use or sell any product, process or design, patented or otherwise, that may in any way be related to or disclosed by said drawings, specifications, or other data.	CAD FILE		CODE ID	DWG SIZE	DRAWING NO.	REV
	I:\TOOL-PARTS\PCTL-1300		74868	B	PCTL-1300	A