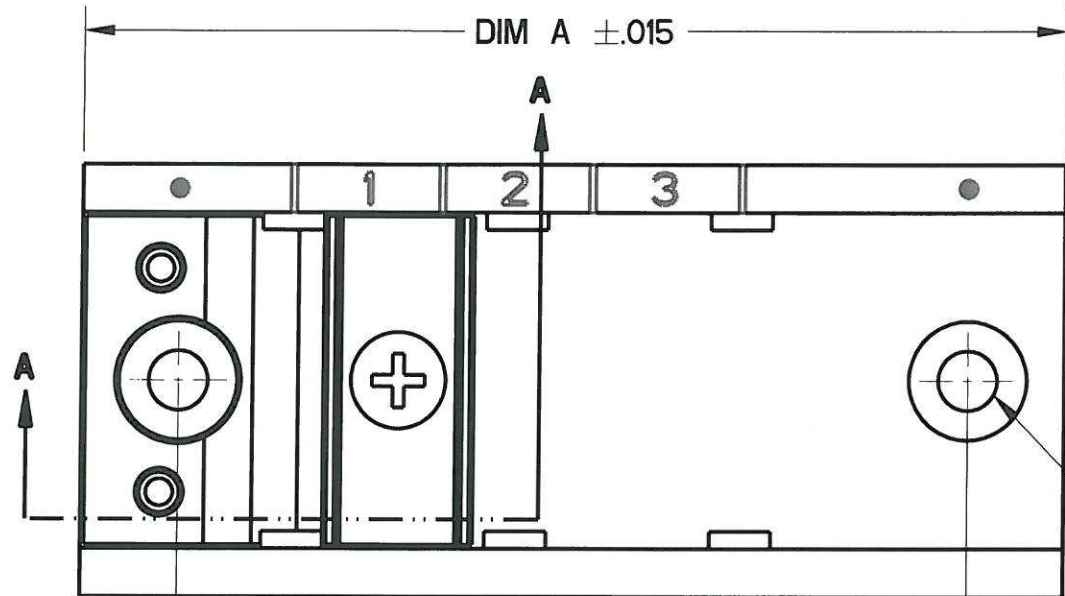


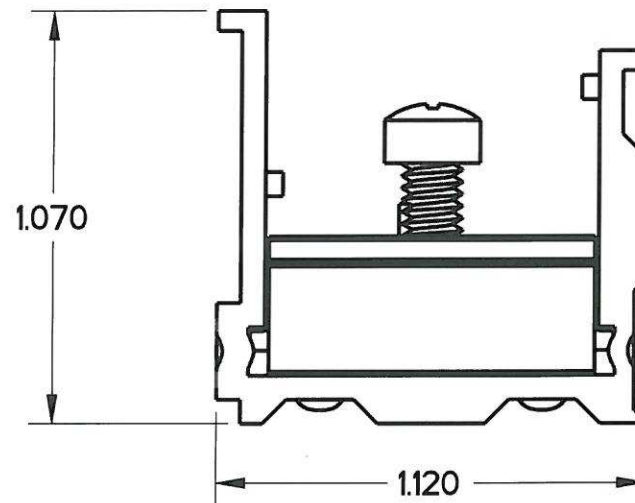
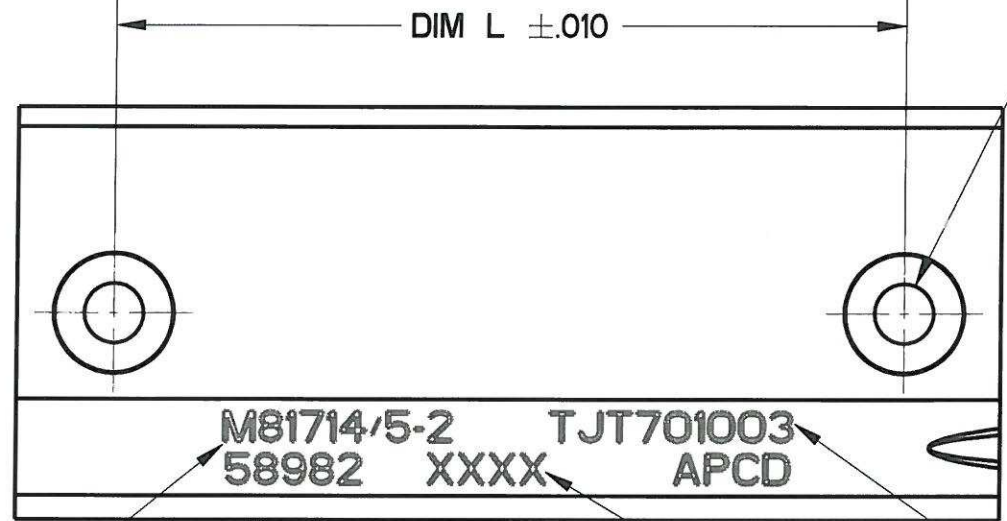
| REV | ECN | APP'D |
|-----|------|--------------------|
| A | 6689 | <i>[Signature]</i> |

NOTES:

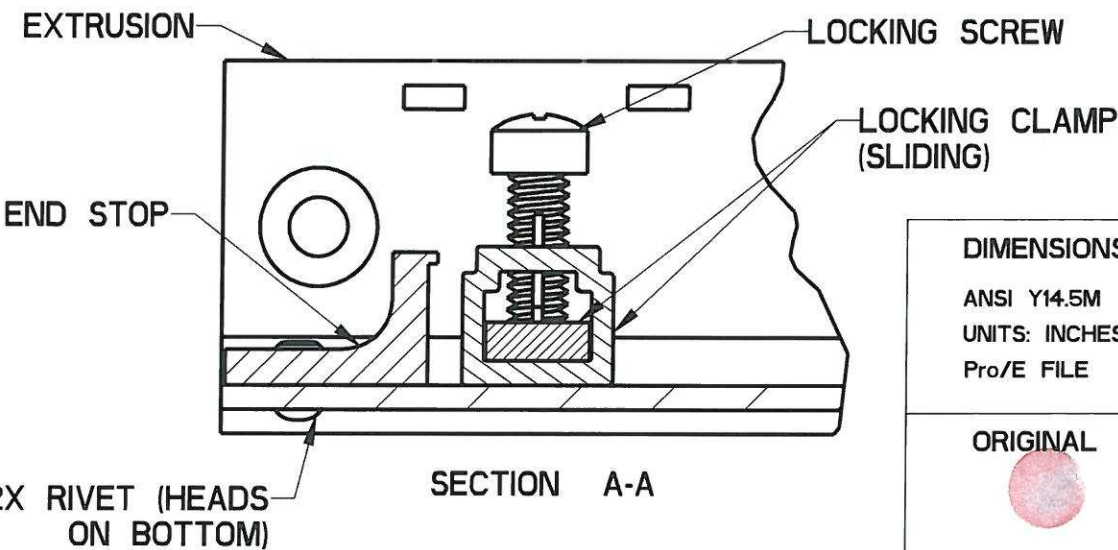
- MATERIALS AND FINISH
TRACK, LOCKING CLAMP, AND END STOP - ALUMINUM ALLOY 6063
TEMPER T5, PER FED SPEC. QQ-A-200/9, BLACK ANODIZE PER MIL-A-8625
TYPE II, CLASS 2.
LOCKING CLAMP SCREW - CORROSION RESISTANT, PASSIVATED, SELF-LOCKING.
RIVETS - ALUMINUM ALLOY #2117, CHROMATE PER MIL-DTL-5541, CLASS 1A, YELLOW.
- APCD P/N TJT701003 (M81714/5-2) SHOWN.



Ø.154 MOUNTING HOLES
CSK 82° X .307 DIA
4X



MIL P/N
DATE CODE
APCD P/N



* DIVIDE BY 3 FOR SIZE 12 MODULE MOUNTING

| MIL P/N | APCD P/N | MTG POS* | DIM A | DIM L |
|-------------|-----------|----------|-------|-------|
| M81714/5-1 | TJT701010 | 10 | 5.291 | 4.791 |
| M81714/5-2 | TJT701003 | 3 | 2.561 | 2.061 |
| M81714/5-3 | TJT701004 | 4 | 2.951 | 2.451 |
| M81714/5-4 | TJT701005 | 5 | 3.341 | 2.841 |
| M81714/5-5 | TJT701006 | 6 | 3.731 | 3.231 |
| M81714/5-6 | TJT701007 | 7 | 4.121 | 3.621 |
| M81714/5-7 | TJT701008 | 8 | 4.511 | 4.011 |
| M81714/5-8 | TJT701009 | 9 | 4.901 | 4.401 |
| M81714/5-9 | TJT701011 | 11 | 5.681 | 5.181 |
| M81714/5-10 | TJT701012 | 12 | 6.071 | 5.571 |
| M81714/5-11 | TJT701013 | 13 | 6.461 | 5.961 |
| M81714/5-12 | TJT701014 | 14 | 6.851 | 6.351 |
| M81714/5-13 | TJT701015 | 15 | 7.241 | 6.741 |

| | | | | |
|--|--|----------------|--|---|
| DIMENSIONS ANSI Y14.5M UNITS: INCHES Pro/E FILE | TOLERANCES .XX ±0.01 .XXX ±0.005 ANGLES ±2.0° | PROJECTION | Amphenol Pcd SPECIFICATION DRAWING ENGR M. Hai 12-Apr-11 | |
| | | | ORIGINAL | THIS DOCUMENT CONTAINS PROPRIETARY INFORMATION WHICH IS THE CONFIDENTIAL PROPERTY OF AMPHENOL PCD INC. BEVERLY, MA, USA CHKD <i>[Signature]</i> 4/19/11 APPD <i>[Signature]</i> 4/20/11 |

| | | | |
|---|-----------------------------|-----------------|--|
| TITLE TERMINAL JUNCTION TRACK FEEDBACK - STANDARD M81714/5, SERIES I | | | |
| SIZE B | DWG NO. TJT701003 | REV A | |
| CODE: 58982 | SCALE: 2:1 | SHEET 1 OF 1 | |

TJT701003

TJT701003