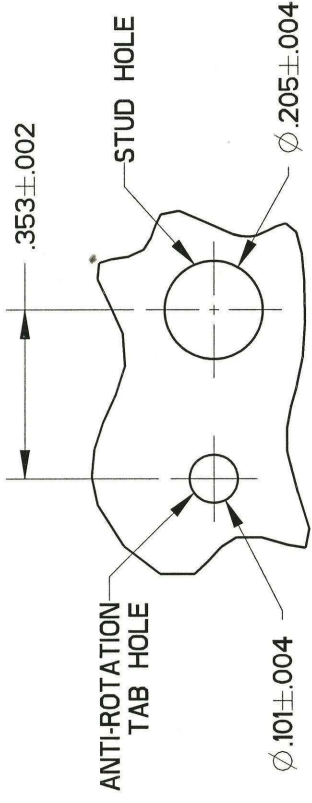
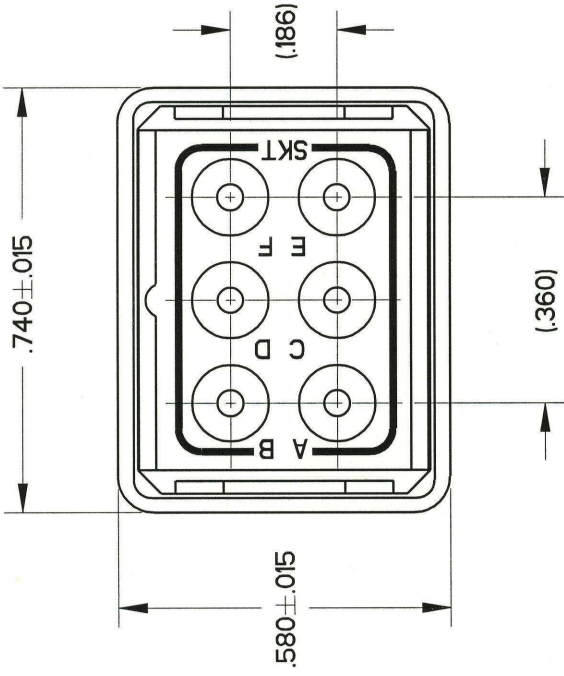
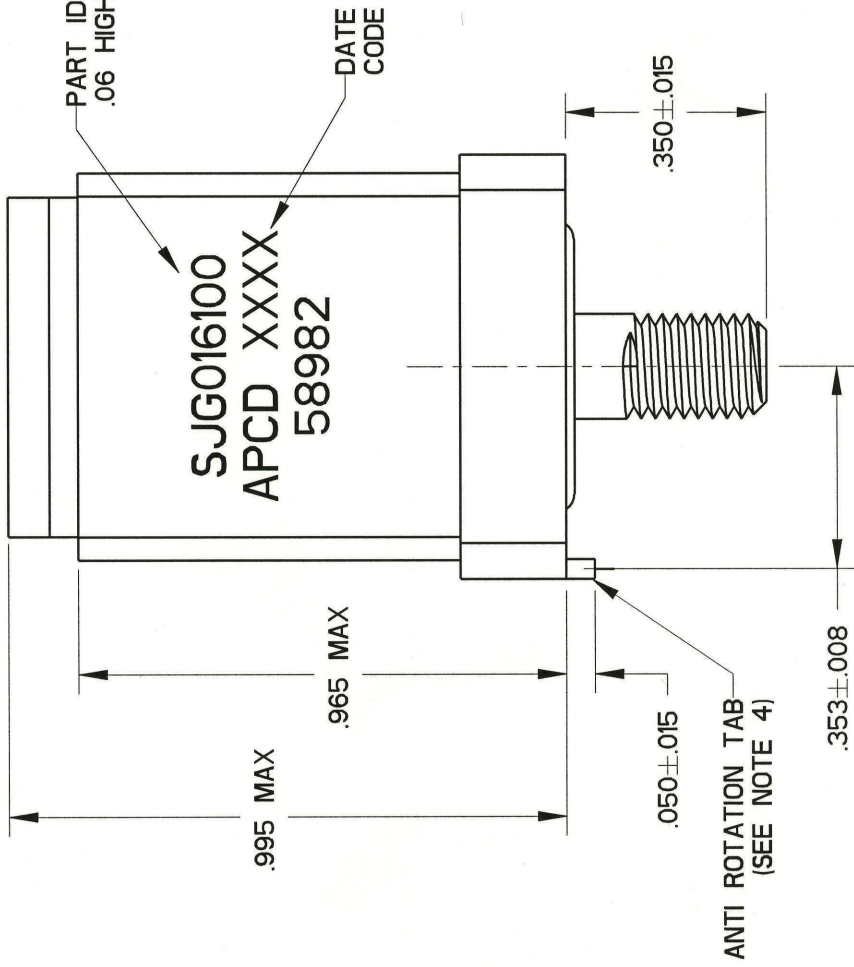
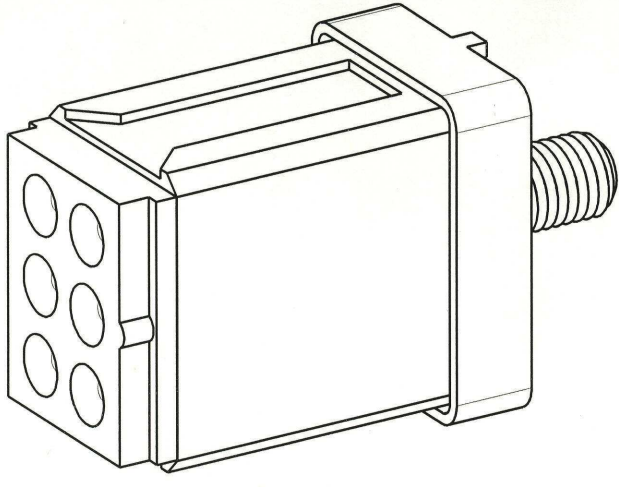


REV	ECN	APPD
J	5968	10-4-06



MOUNTING HOLE CONFIGURATION



PART ID MARKING  
.06 HIGH

DATE CODE

SJG016100  
APCD XXXX  
58982

ANTI ROTATION TAB  
(SEE NOTE 4)

- NOTES:
- PART MEETS ALL REQUIREMENTS OF MIL-T-81714/63
  - MATERIALS:  
GROMMET - SILICONE RUBBER PER A-A-59588  
BODY - POLYETHERIMIDE PER ASTM-D-5205  
SHELL/STUD - COPPER ALLOY, GOLD PLATED PER SAE-AMS-2422  
CONTACT RETAINER CLIPS - STAINLESS STEEL PER ASTM-A666
  - PART ACCEPTS M39029/22-193 SOCKET CONTACTS. SEE TABLE

APCD P/N	SUPPLIED	MARKING
SJG016100	SKTS / PLUGS	APCD PART NO.
SJG016101	7	2
	-	SJG016100

**Amphenol Pcd**

SPECIFICATION DRAWING

DRWN R. SWAINE 10/2/06

ENGR *Syts* 10/3/06

APPD *Jed* 10-4-06

DIMENSIONS	TOLERANCES	PROJECTION
ANSI Y14.5M UNITS: INCHES Pro/E FILE	.XX ±0.01 .XXX ±0.005 ANGLES ±2.0°	
ORIGINAL	THIS DOCUMENT CONTAINS PROPRIETARY INFORMATION WHICH IS THE CONFIDENTIAL PROPERTY OF AMPHENOL PCD INC., PEABODY, MA	

HARDWARE / SOCKET CONTACT BOM	DESCRIPTION	QTY.
200001201	FLAT WASHER, #10	1
200008201	HEX NUT, #10-32	1
200008301	LOCK WASHER, #10	1
CNS072900	M39029/22-193, CONTACT SZ 16/16	7
CNA032402	SEALING PLUG, SZ 16, MS27488-16-1	2

SIZE B

DWG NO. SJG016100

REV J

SCALE: 2:1

SHEET 1 OF 1