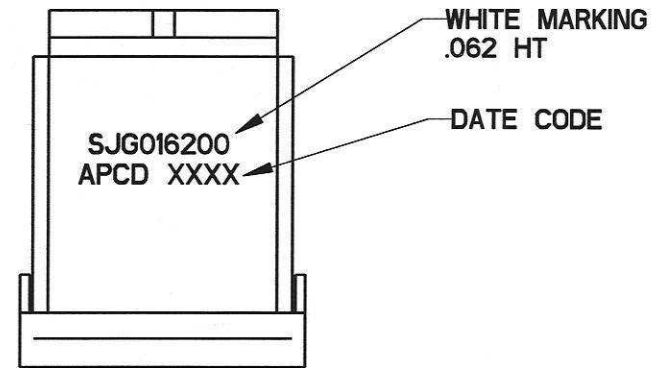
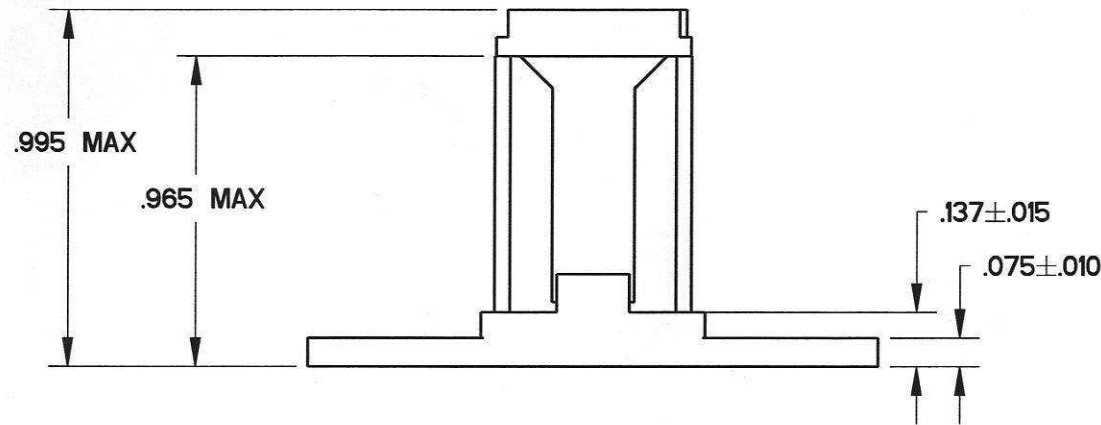
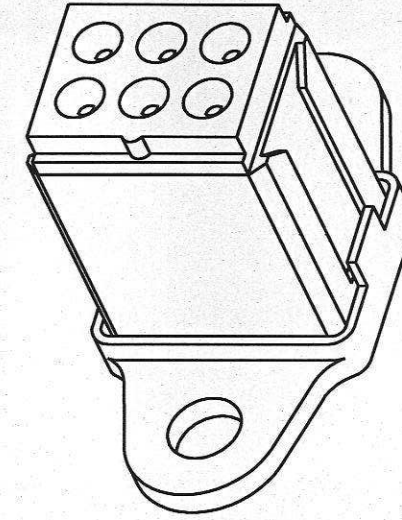
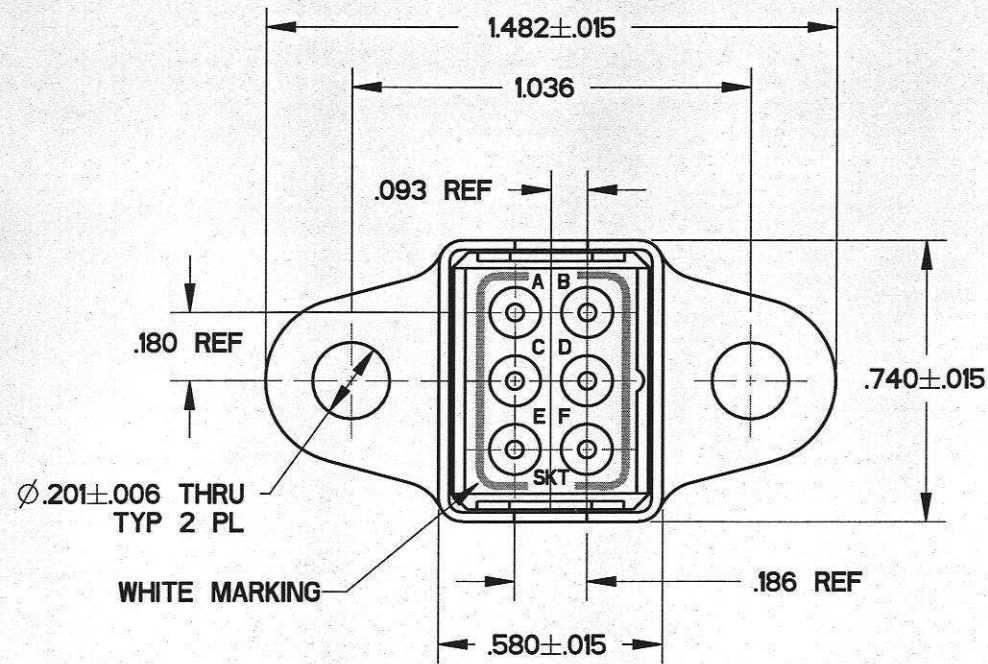


REV	ECN	APP'D
C	6024	4-12-07



NOTES:

- PART MEETS ALL REQUIREMENTS OF MIL-T-81714/63
- MATERIALS:
GROMMET - SILICONE RUBBER PER A-A-59588
BODY - POLYETHERIMIDE PER ASTM-D-5205
SHELL/STUD - COPPER ALLOY, TIN PLATED
CONTACT RETAINER CLIPS - STAINLESS STEEL PER ASTM-A666
- PART ACCEPTS M39029/22-193 SOCKET CONTACTS. SEE TABLE

APCD P/N	SUPPLIED		MARKING
	SKTS	PLUGS	APCD PART NO.
SJG016200	7	2	SJG016200
SJG016201	-	-	

DIMENSIONS ANSI Y14.5M UNITS: INCHES Pro/E FILE	TOLERANCES .XX ±0.01 .XXX ±0.005 ANGLES ±2.0°	PROJECTION 	Amphenol Pcd SPECIFICATION DRAWING		TITLE SJG, SIZE 16, FLANGE GROUND MODULE TIN PLATED		
			DRWN R. SWAINE 02/15/07	ENGR <i>[Signature]</i> 4/18/07	SIZE B	DWG NO. SJG016200	REV C
ORIGINAL 	THIS DOCUMENT CONTAINS PROPRIETARY INFORMATION WHICH IS THE CONFIDENTIAL PROPERTY OF AMPHENOL PCD INC., PEABODY, MA		APPD <i>[Signature]</i> 4-12-07	CODE: 58982	SCALE: 2:1	SHEET 1 OF 1	

SJG016200

SJG016200