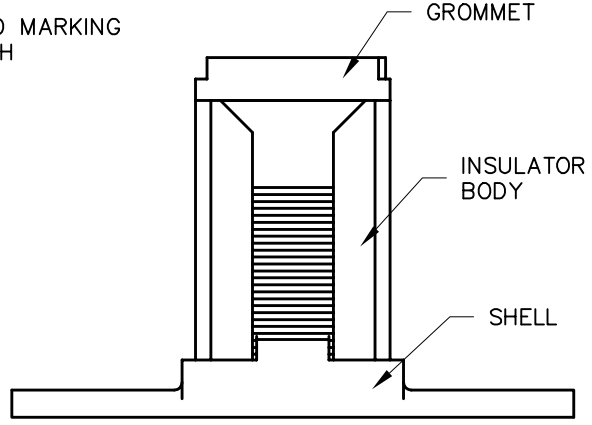
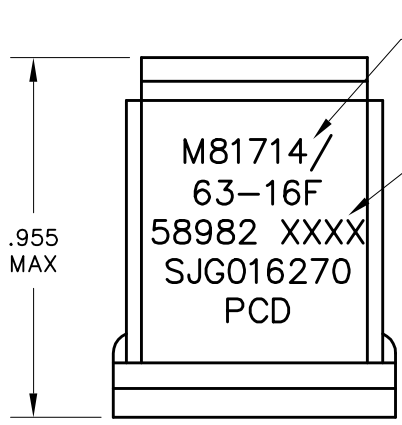
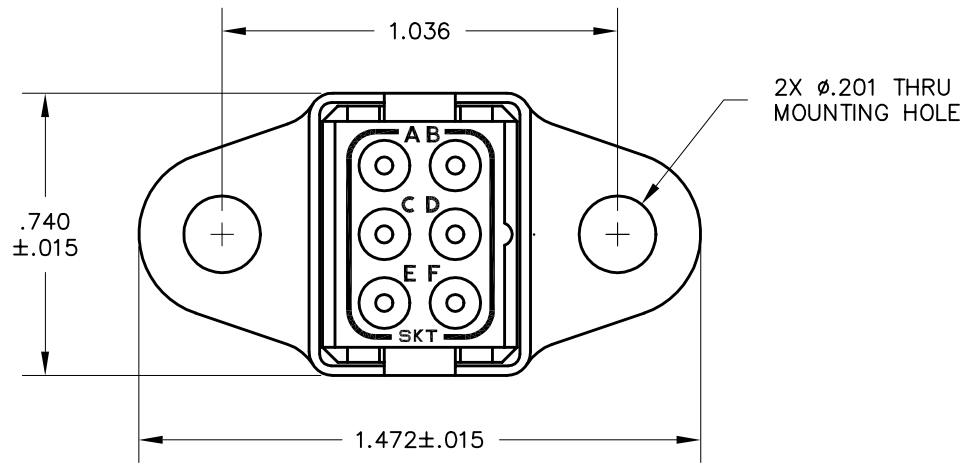


REV	ECN	APP'D
B	3963	JC 4/25/00
C	4127	



- NOTES:
- MATERIALS:
 BODY: POLYETHERIMIDE PER MIL-P-46184.
 GROMMET: SILICONE BLEND ELASTOMER.
 CONTACT RETAINERS: BERYLLIUM COPPER.
 SHELL: COPPER ALLOY, GOLD PLATE PER MIL-G-45204
 - PERFORMANCE SPECIFICATIONS:
 OPERATING TEMP: -65° TO 200°C
 CURRENT RATING: 13 AMPS
 VIBRATION AND SHOCK: PER MIL-T-81714, PARAGRAPH 3.5.5 AND 3.5.8.
 - MODULE SUPPLIED WITH SEVEN (7) M39029/22-193 SOCKET CONTACTS AND TWO (2) MS27488-16 SEALING PLUGS.

DIMENSIONS ANSI Y14.5M UNITS: INCHES ACAD FILE	TOLERANCES .XX ± .XXX ±.005 ANGLES ±2°	PROJECTION 	SPECIFICATION DRAWING			TITLE SOCKET GROUND MODULE SIZE 16 - FLANGE, GOLD M81714/63-16F		
			ENGR A. PATRIE 4/19/00			SIZE A	DWG NO. SJG016270	REV C
ORIGINAL	THIS DOCUMENT CONTAINS PROPRIETARY INFORMATION WHICH IS THE CONFIDENTIAL PROPERTY OF PCD, INC. PEABODY, MA, USA		CHKD J. TON 4/24/00		CODE: 58982		SCALE: 2:1	SHEET 1 OF 1
			APPD J. CAHALY 4/25/00					