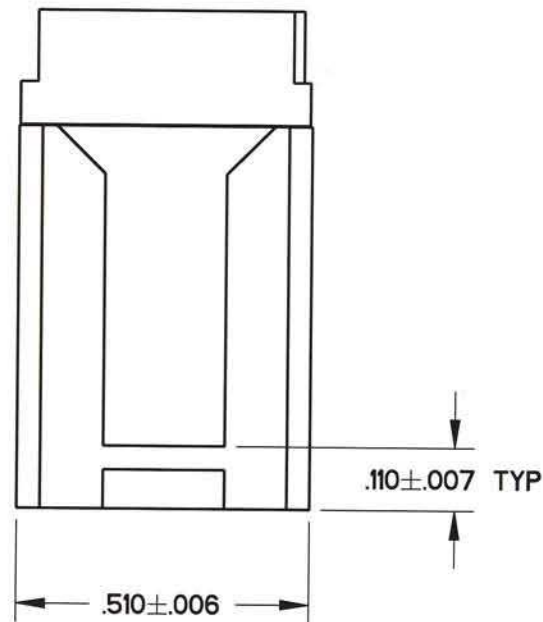
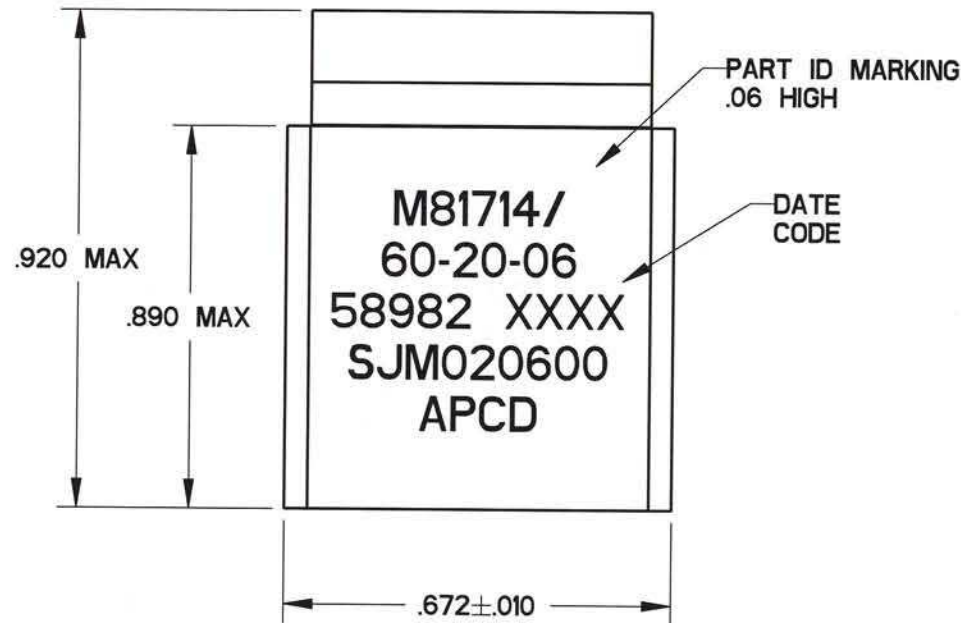
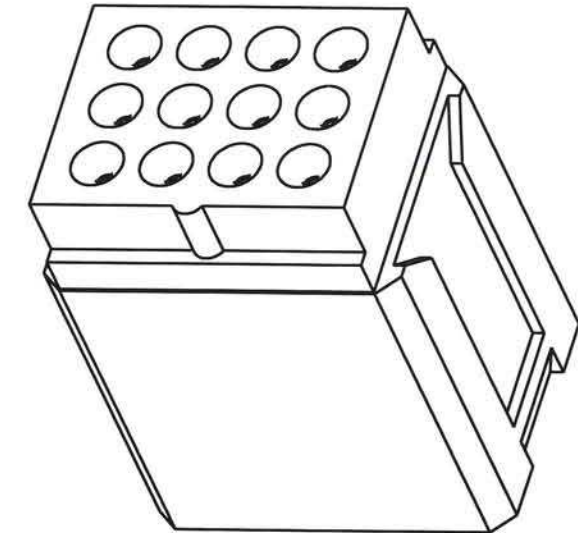
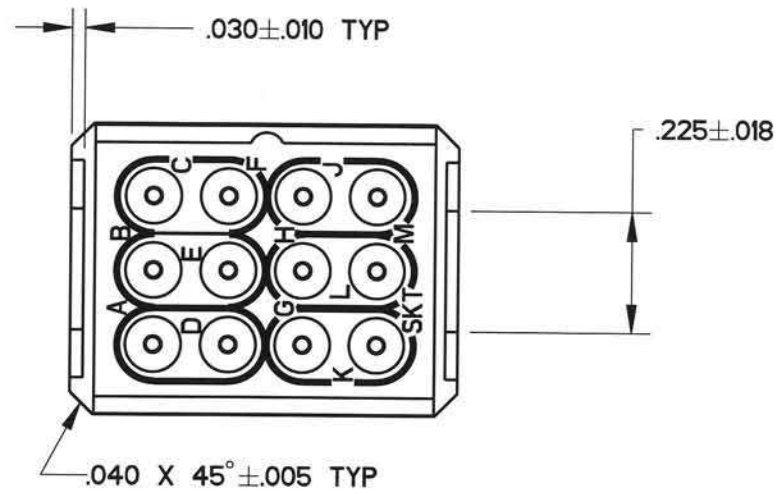


SJM020600

| REV | ECN | APP'D |
|-----|------|------------|
| K | 5839 | JT 4-14-06 |



- NOTES:
- MATERIALS:
BODY: POLYETHERIMIDE PER MIL-P-46184.
GROMMET: SILICONE BLEND ELASTOMER.
CONTACT RETAINERS: STAINLESS STEEL.
INTERNAL PIN CONTACTS: COPPER ALLOY, HARD GOLD PLATE PER MIL-G-45204.
 - PERFORMANCE SPECIFICATIONS:
OPERATING TEMP: -65° TO 200°C
INSULATION RESISTANCE: 5000 MEGOHMS IN @ 25°C
DIELECTRIC WITHSTANDING VOLTAGE: 1500 VRMS AT SEA LEVEL AND 200 VRMS AT 110,000 FT. ALTITUDE
CURRENT RATING: 7.5 AMPS.
VIBRATION AND SHOCK: PER MIL-T-81714, PARAGRAPH 3.5.5 AND 3.5.8.
 - MODULE ACCEPTS M39029/22-192 CONTACT AND MS27488-20 SEALING PLUG. (SEE TABLE)

| APCD P/N | SUPPLIED | | MARKING | |
|-----------|----------|-------|---------------|-----------------|
| | SKTS | PLUGS | APCD PART NO. | MIL. NO. |
| SJM020600 | 13 | 2 | SJM020600 | M81714/60-20-06 |
| SJM020601 | - | - | | |

| | | | | | | | |
|---|---|-----------------------|--|---|---|------------------|-----------------------------|
| DIMENSIONS ANSI Y14.5M UNITS: INCHES Pro/E FILE | TOLERANCES .XX ±0.01 .XXX ±0.005 ANGLES ±2.0° | PROJECTION | Amphenol Pcd SPECIFICATION DRAWING ENGR R. SWAINE 03/16/06 | | TITLE SOCKET JUNCTION MODULE SIZE 20, 06 | | |
| | | | ORIGINAL | THIS DOCUMENT CONTAINS PROPRIETARY INFORMATION WHICH IS THE CONFIDENTIAL PROPERTY OF AMPHENOL PCD INC., PEABODY, MA CHKD [Signature] 4-14-06 APPD [Signature] 4-14-06 | | SIZE B | DWG NO. SJM020600 |
| | | | CODE: 58982 | SCALE: 3:1 | SHEET 1 OF 1 | | |

SJM020600

SJM020600