



Model Number

UB2000-30GM65-WS3-BHMS5

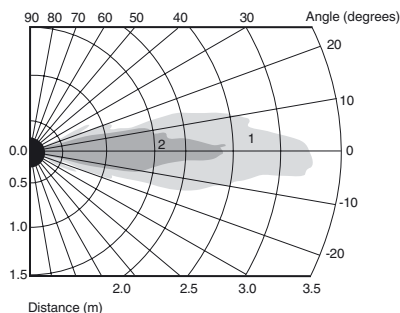
Single head system

Features

- AC switchpoint output
- 330° high visibility LEDs
- Fingertip range adjustability

Diagrams

Characteristic response curve



Curve 1: Flat surface 100 mm x 100 mm
 Curve 2: Round bar, \varnothing 25 mm

Technical data

General specifications

Sensing range	200 ... 2000 mm
Unusable area	0 ... 200 mm
Standard target plate	100 mm x 100 mm
Transducer frequency	175 kHz
Response delay	\leq 90 ms

Indicators/operating means

LED green	power
LED red	output

Electrical specifications

Operating voltage U_B	90 ... 140 V AC
Power consumption P_0	\leq 75 mA

Output

Output type	Thyristor , 1 NO
Rated operating current I_e	700 mA
Voltage drop U_d	\leq 1.5 V AC
Repeat accuracy	\leq 5 mm
Switching frequency f	3.5 Hz
Range hysteresis H	approx. 15 mm
Temperature influence	$<$ 2 % of far switch point

Standard conformity

Standards	EN 60947-5-2
-----------	--------------

Ambient conditions

Ambient temperature	-25 ... 70 °C (-13 ... 158 °F)
Storage temperature	-40 ... 85 °C (-40 ... 185 °F)

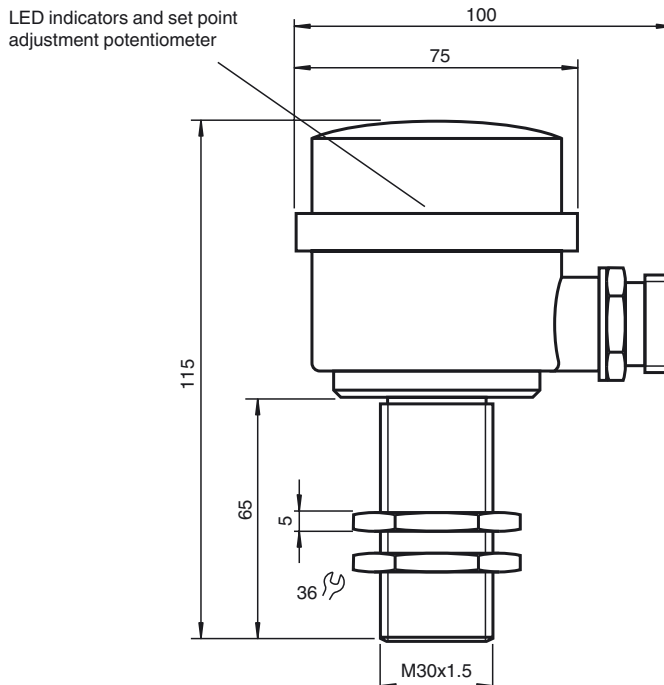
Mechanical specifications

Connection type	5-pin , V95 connector
Protection degree	IP65
Material	
Housing	nickel plated brass; plastic components: PBT
Transducer	epoxy resin/hollow glass sphere mixture; polyurethane foam

Approvals and certificates

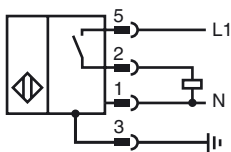
UL approval	cULus Listed, General Purpose
CSA approval	cCSAus Listed, General Purpose

Dimensions

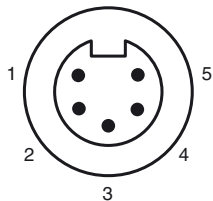


Release date: 2013-02-14 15:00 Date of issue: 2013-02-14 906480_eng.xml

Electrical Connection



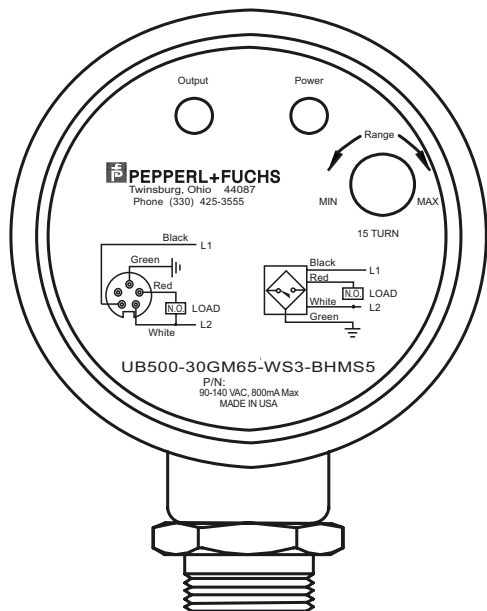
Pinout



Adjustment procedure

The UB2000 provides an N.O. switch point output between 200 mm (non-adjustable) and the potentiometer configured end point (200 - 2000 mm). The sensing window end limit is adjusted as follows:

1. Place the target at the desired distance
2. Turn the sensing potentiometer (on the back of the unit) counterclockwise until the red output LED turns off.
3. Slowly turn the potentiometer clockwise. The sensing range is set when the red output LED turns on.



Installation conditions

If the sensor is installed in an environment where the temperature can fall below 0 °C, one of these mounting flanges must be used for mounting: BF30, BF30-F, or BF 5-30.

If the sensor is mounted in a through hole using the included steel nuts, it must be mounted at the middle of the threaded housing. If it must be mounted at the front end of the threaded housing, plastic nuts with centering ring (optional accessories) must be used.