



Model Number

10-11631_R-1024

Features

- Industrial standard housing Ø58 mm
- 1024 ppr
- Clamping flange
- 10 V ... 30 V with short-circuit proof push-pull output

Technical data

General specifications

Pulse count 1024

Electrical specifications

Operating voltage U_B 10 ... 30 V DC

No-load supply current I_0 max. 80 mA

Output

Output type push-pull, incremental

Voltage drop U_d < 4 V

Load current max. per channel 40 mA, short-circuit protected, reverse polarity protected

Output frequency max. 100 kHz

Rise time 250 ns

De-energized delay t_{off} 250 ns

Connection

Cable Ø6 mm, 4 x 2 x 0.14 mm², 2 m

Standard conformity

Degree of protection DIN EN 60529, IP65

Climatic testing DIN EN 60068-2-3, no moisture condensation

Emitted interference EN 61000-6-4:2007/A1:2011

Noise immunity EN 61000-6-2:2005

Ambient conditions

Operating temperature

Glass disk -20 ... 70 °C (-4 ... 158 °F)

Plastic disk -20 ... 60 °C (-4 ... 140 °F)

Storage temperature

Glass disk -40 ... 70 °C (-40 ... 158 °F)

Plastic disk -40 ... 60 °C (-40 ... 140 °F)

Mechanical specifications

Material housing: diecast zinc
flange: aluminum 3.1645
shaft: stainless steel 1.4305 / AISI 303

Mass approx. 335 g

Rotational speed max. 10000 min⁻¹

Moment of inertia ≤ 30 gcm²

Starting torque ≤ 1.5 Ncm

Shaft load

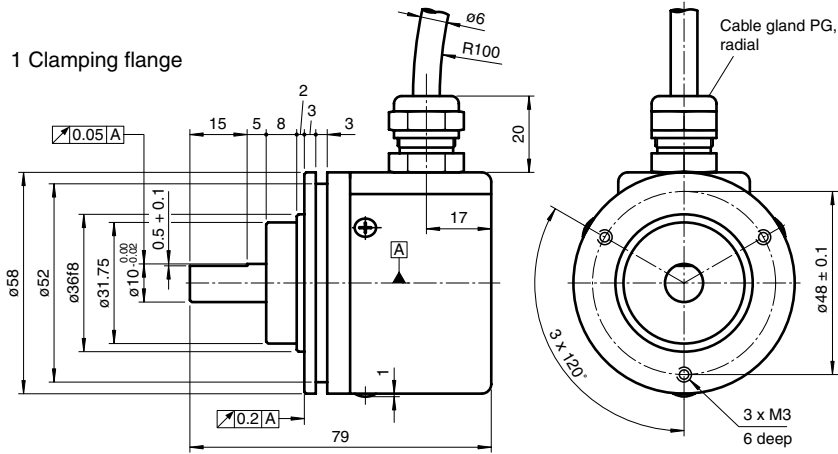
Axial 60 N

Radial 80 N

Approvals and certificates

UL approval cULus Listed, General Purpose, Class 2 Power Source

Dimensions

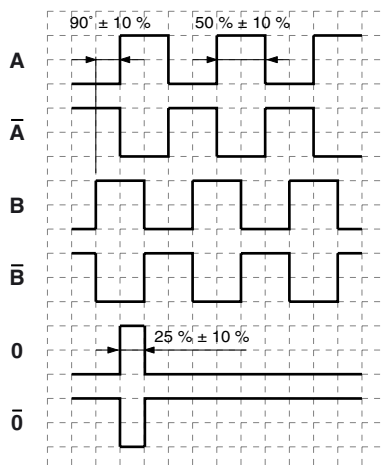


Electrical connection

Signal	Cable Ø6 mm, 8-core	Connector 9414, 5-pin	Connector 9416, 12-pin	Connector 42306, 6-pin	Connector 42308, 8-pin
GND	White	1	1	1	1
+U _b	Brown	2	2	2	2
A	Green	3	3	3	3
B	Grey	4	4	4	4
\bar{A}	Yellow	-	5	-	5
\bar{B}	Pink	-	6	-	6
0	Blue	5	7	5	7
$\bar{0}$	Red	-	8	-	8

Release date: 2014-12-11 09:20 Date of issue: 2014-12-11 045995_eng.xml

Signal outputs



↻ cw - with view onto the shaft

