



Model number

VBM-MLX/CPLX

AS-Interface scanner for CompactLogix or MicroLogix 1500 PLC

Features

- Gateway compliant with AS-Interface specification 3.0
- Commissioning, locally on the gateway or via AS-i Control Tools software
- Ethernet diagnostic interface
- AS-Interface scanner for CompactLogix or MicroLogix 1500 PLC

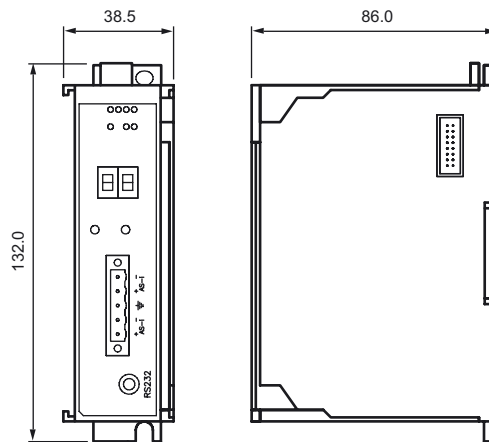
Accessories

VAZ-SW-ACT32

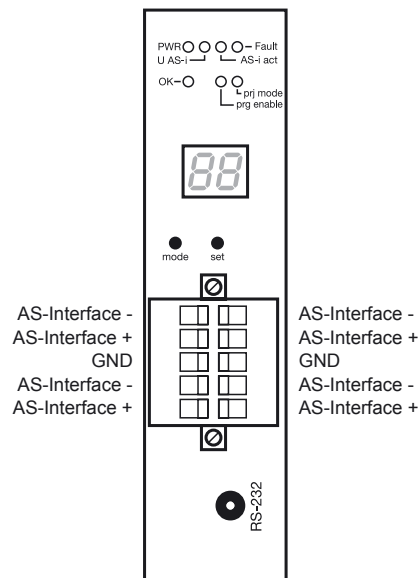
Full version of the AS-I Control Tools including connection cable

K-ADP2 RPI

Dimensions



Electrical connection



Technical data

General specifications	
AS-Interface specification	V3.0
PLC-Functionality	none
Description	AS-Interface scanner for CompactLogix or MicroLogix 1500 PLC
Functional safety related parameters	
MTTF _d	140 a at 30 °C
Indicators/operating means	
Display	LC display
LED SYS	LED green: Power on
LED OK	LED green: AS-Interface network running normally; LED green flashing: Configuration mode; LED red flashing: Peripheral fault; LED red: Configuration error;
LED AS-i ACTIVE	LED green: AS-Interface running normally

Release date: 2011-06-22 17:25 Date of issue: 2014-01-13 124959_eng.xml

Refer to "General Notes Relating to Pepperl+Fuchs Product Information".

Pepperl+Fuchs Group
www.pepperl-fuchs.com

USA: +1 330 486 0001
fa-info@us.pepperl-fuchs.com

Germany: +49 621 776 4411
fa-info@de.pepperl-fuchs.com

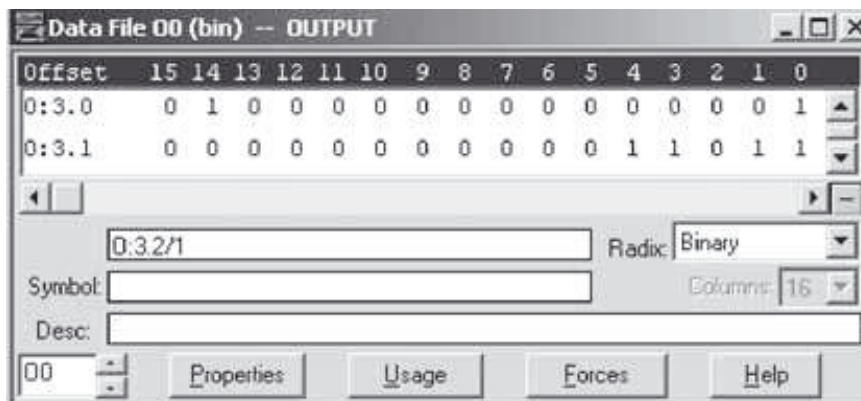
Singapore: +65 6779 9091
fa-info@sg.pepperl-fuchs.com

LED PWR	LED green: Power on
LED PRG ENABLE	autom. programming; LED green
LED PRJ MODE	projecting mode active; LED yellow
LED U AS-i	AS-Interface voltage; LED green
Switch SET	Selection and setting of a slave address
Button MODE	Mode selection PRJ-operation/save configuration/cursor
Electrical specifications	
Insulation voltage	$U_i \geq 500$ V
Capacity factor	Power supply rating of 4 Cannot be farther then 4 cards from main processor or power supply
Rated operating voltage	U_e from backplane
Rated operating current	I_e 100 mA from AS-Interface 450 mA from backplane
Interface	
Protocol	MicroLogix 1500 or CompactLogix backplane
Interface 2	
Interface type	RS 232, serial
Connection	
AS-Interface	double row terminals, removable
Ambient conditions	
Ambient temperature	0 ... 55 °C (32 ... 131 °F)
Storage temperature	-25 ... 85 °C (-13 ... 185 °F)
Mechanical specifications	
Protection degree	IP20
Mass	420 g
Construction type	Mounting into the backplane of a MicroLogix 1500 or CompactLogix PLC
Compliance with standards and directives	
Standard conformity	
Electromagnetic compatibility	EN 61000-6-2:2005, EN 61000-6-4:2001, EN 50295:1999
AS-Interface	EN 50295
Protection degree	EN 60529
Shock and impact resistance	EN 61131-2

Notes

DATA MAPPING – SLC500

The Compact I/O-Scanner works with the MicroLogix 1500 or the CompactLogix



Example of an RS Logix 5000 screen capture for MicroLogix 1500 mapping (third card)

MAPPING DATA

Address 1/1A outputs 1-4 O:3.0/8 - O:3.0/11	Address 5/5A outputs 1-4 O:3.1/8 - O:3.1/11
Address 2/2A outputs 1-4 O:3.0/4 - O:3.0/7	Address 6/6A outputs 1-4 O:3.1/4 - O:3.1/7
Address 3/3A outputs 1-4 O:3.0/0 - I:3.0/3	Address 7/7A outputs 1-4 O:3.1/0 - O:3.1/3
Address 4/4A outputs 1-4 O:3.1/12 - O:3.1/15	...