



### Model number

#### U-G1P

AS-Interface module mounting base for connection to round cable (AS-Interface)

### Function

The U-G1P lower section makes it possible to connect slaves from the G1 and G4 series to the AS-Interface without an additional power supply (EMS). It features two connections to the AS-Interface which are linked together. In this way it can serve as a distributor from one AS-Interface arm to another. The cable ducts are designed for round cables, the device is connected via screw terminals.

### Accessories

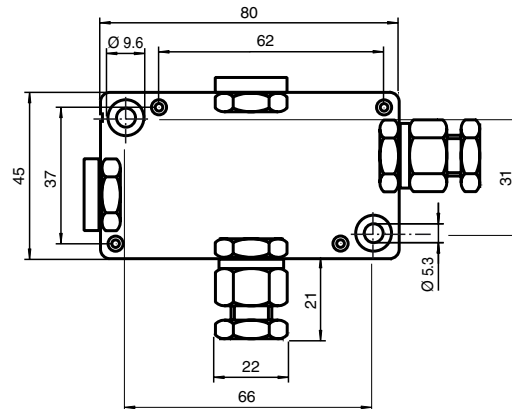
#### VAZ-DK-G1

Cover for bases -G1F- and -G1P-

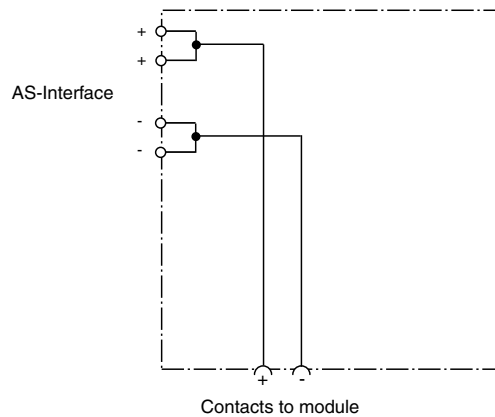
#### PG11-1/2NPT

Conduit adapter

### Dimensions



### Electrical connection



### Technical data

#### General specifications

UL File Number	E198304
----------------	---------

#### Electrical specifications

Current loading capacity	≤ 5 A for max. 40 V
--------------------------	---------------------

#### Ambient conditions

Ambient temperature	-25 ... 60 °C (-13 ... 140 °F)
Storage temperature	-25 ... 85 °C (-13 ... 185 °F)

#### Mechanical specifications

Protection degree	IP67 according to EN 60529 (only in connection with module or cover)
Connection	PG11 round cable for AS-Interface core cross-section ≤ 2.5 mm
Material	
Housing	PBT
Dimensions	about 80, 45, 34 mm (L, W, H)
Mounting	DIN rail or screw mounting

**Matching system components****VBA-4E-G4-Pt100**

G4 module IP65  
4 inputs for Pt100

**VAZ-T4-G1**

Splitter box AS-Interface to 4x M12 round connector

**VAA-4A-G1-R**

Standard module IP67  
4 relay outputs

**VAA-2E-G4-SN**

G4 PG module IP67  
safety module with 2 inputs

**VAA-LT2-G1**

Illuminated pushbutton module

**VBA-LT2-G1**

Illuminated pushbutton module

**VBA-LT2-G1-Y**

Illuminated pushbutton module

**VAA-4E-G4-Z**

G4 module IP67  
4 inputs (2-wire )

**VAA-2\*2E-G1-AE**

Standard module IP67  
2 x 2 inputs (PNP)

**VAA-4E-G1-ZE**

Standard module IP67  
4 inputs (PNP)

**VAA-2EA-G1-ZE/P-S**

Pneumatic module  
2 inputs/2 pneumatic outputs

**VAA-4E2A-G1-ZE/P-S**

Pneumatic module  
4 inputs/2 pneumatic outputs

**VBA-4E2A-G1-ZE/P-S**

Pneumatic module  
4 inputs/2 pneumatic outputs

**VBA-4E-G4-ZE**

G4 module IP67  
4 inputs (PNP)

**VAA-4E-G4-ZE-IFM**

G4 module IP67  
4 inputs (PNP)

**VAA-4E-G4-ZE**

G4 module IP67  
4 inputs (PNP)

**VAA-4E-G4-N**

G4 module IP67  
4 inputs (NAMUR)

**VAA-4E-G4-ZE0**

G4 module IP67  
4 inputs (NPN)

**VAA-2EA-G1-ZE/P-V2A**

Pneumatic module  
2 inputs/2 pneumatic outputs