



Model number

VAZ-FK-PUR-BK-2,5MM-1000M

AS-Interface flat cable for external auxiliary voltage up to 24 V

Features

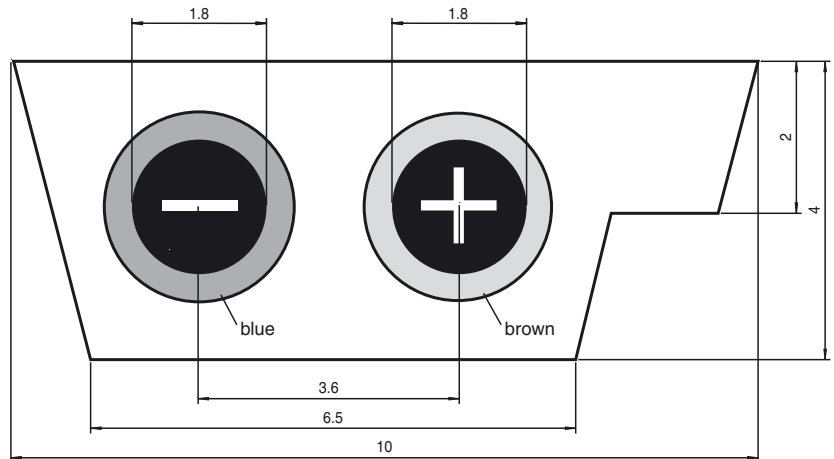
- Oil resistant
- Cable piercing technique
- Resistant to environmental influence
- Resistant to bending
- Suitable for drag chains
- Reverse polarity protected due to the shape of the cable
- halogen-free, flame-proof outer shell on PUR basis

Accessories

VAZ-FK-ED3

AS-Interface end seal for flat cable

Dimensions



Technical data

General specifications

UL File Number E48408

Electrical specifications

Nominal voltage U_n 300 V

Current loading capacity According to DIN VDE 0298 Part 4, Table 6, Column 4

Ambient conditions

Ambient temperature -40 ... 80 °C (-40 ... 176 °F)

Mechanical specifications

Core cross-section Copper, extra-fine wire, class 6 in accordance with DIN VDE 0295 cross-section 2.5 mm²

Bending radius min. permissible bend radii in accordance with DIN VDE 0298 Part 3, Table 2
Bending stress only permitted on the wide side of the cable

Tension loading max. 50 N/mm² on laying acc. to DIN VDE 0298 Part 3

Material PUR (TPPU)

Core insulation TPM

Cable UL-Style 21866

Bending radius > 60 mm

Color black (Similar to RAL 9005)

Drag chain suitability

Motion velocity ≤ 3 m/s

Traverse distance 5 m

Acceleration ≤ 5 m/s²

Torsion cycles ≥ 500000

Cable length 1000 m

Flammability

Cable Flame-retardant as per IEC 60332-1