



### Model Number

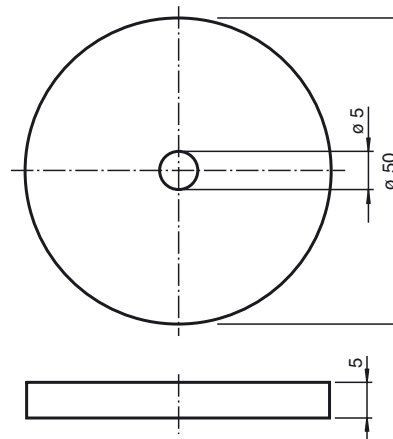
**IPC02-50P**

Code carrier

### Features

- Battery-free code carrier
- 40 bit fix code
- Readable from both sides
- Mounting holes for simple installation
- Protection degree IP68

### Dimensions



### Technical data

#### General specifications

Operating frequency	125 kHz
Transfer rate	2 kBit/s

#### Memory

Chip Type	EM4102 Unique (EM Microelectronic)
Type/Size	ROM 64 Bit (40 Bit code, 24 bit data security)
Read cycles	> 100000
Data retention period	> 10 years

#### Ambient conditions

Ambient temperature	-20 ... 85 °C (-4 ... 185 °F)
Storage temperature	-20 ... 85 °C (-4 ... 185 °F)

#### Mechanical specifications

Protection degree	IP68
Material	
Housing	PC (Polycarbonate)
Encapsulation compound	Epoxy

#### Compliance with standards and directives

Standard conformity	
Protection degree	EN 60529

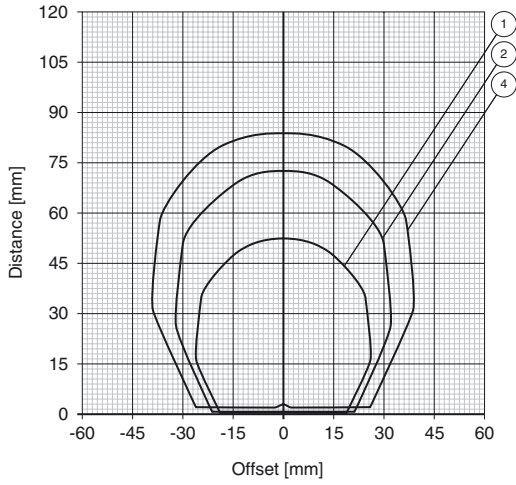
### Notes

The transponder can be read from either side.

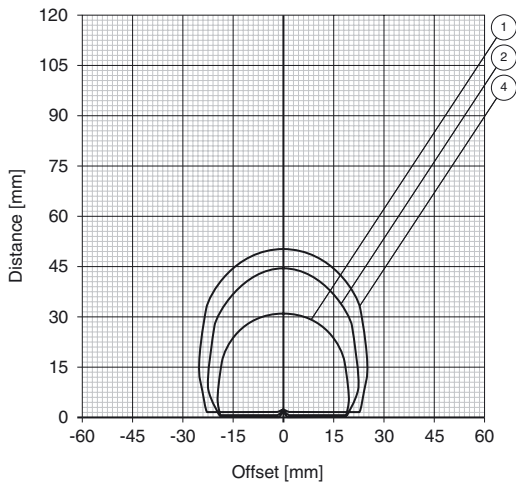
**Read/write distances**

- ① IPH-18GM-V1    ③ IPH-F61    ⑤ IPH-FP-V1    ⑦ IPT1-FP-V1
- ② IPH-30GM-V1    ④ IPH-L2-V1    ⑥ IPH-F15-V1

Reading range in air IPC02-50..



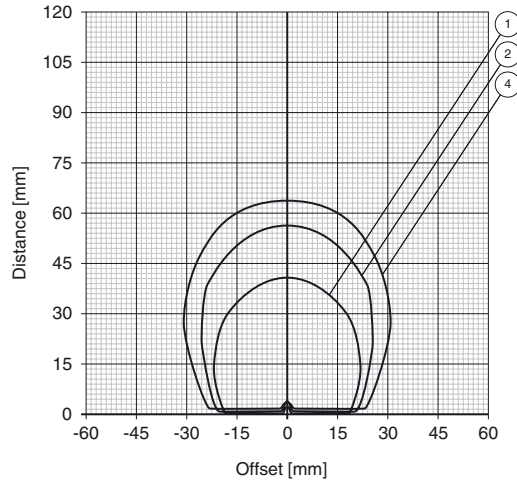
Reading range on aluminium IPC02-50..



Release date: 2011-07-19 10:01 Date of issue: 2012-02-28 183298\_eng.xml



Reading range on steel IPC02-50..



Release date: 2011-07-19 10:01 Date of issue: 2012-02-28 183298\_eng.xml

Subject to modifications without notice

Pepperl+Fuchs Group  
www.pepperl-fuchs.com

USA: +1 330 486 0001  
fa-info@us.pepperl-fuchs.com

Germany: +49 621 776-4411  
fa-info@pepperl-fuchs.com

Copyright Pepperl+Fuchs

Singapore: +65 6779 9091  
fa-info@sg.pepperl-fuchs.com