



Model Number

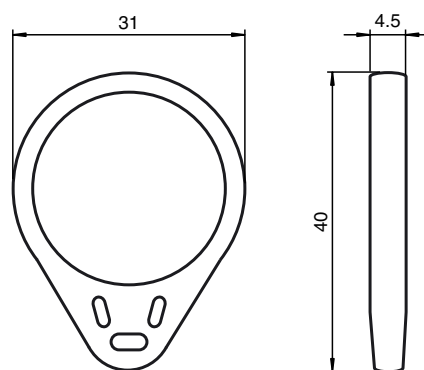
IPC03-20K1

Data carrier

Features

- Battery-free data carrier
- 32 bit fixcode
- 928 bits computer memory available
- Readable and writable from both sides
- Protection degree IP67
- Key fob

Dimensions



Technical data

General specifications

Operating frequency	125 kHz
Transfer rate	2 kBit/s

Memory

Chip Type	EM4450 Titan (EM Microelectronic)
Type/Size	EEPROM 928 Bit ROM 32 Bit
Read cycles	unlimited
Write cycles	> 100000
Data retention period	10 years at 55 °C (131 °F)

Ambient conditions

Ambient temperature	-25 ... 70 °C (-13 ... 158 °F)
Storage temperature	-40 ... 90 °C (-40 ... 194 °F)

Mechanical specifications

Protection degree	IP67
Material	
Housing	PC (Polycarbonate)

Compliance with standards and directives

Standard conformity	
Protection degree	EN 60529

Notes

The transponder can be read and written from either side.