



Model Number

IPH-F15-V1

Read/write head
for IDENTControl

Features

- Dual-LED for function display
- Connection via V1 (M12 x 1) plug connection
- Protection degree IP67
- Including robust stainless steel mounting plate with only 2 mounting points

Accessories

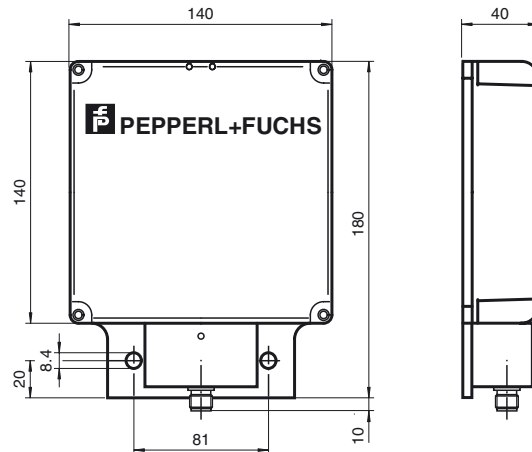
V1-G-5M-PUR-ABG-V1-W

Connecting cable, M12 to M12, PUR cable 4-pin, shielded

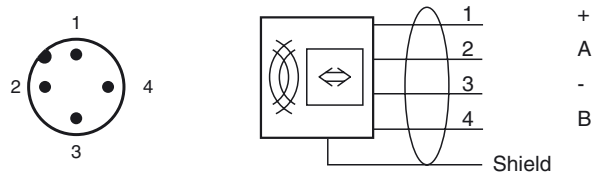
V1-G-10M-PUR-ABG-V1-W

Connecting cable, M12 to M12, PUR cable 4-pin, shielded

Dimensions



Electrical connection



Technical data

General specifications

Operating frequency	125 kHz
Transfer rate	2 kBit/s
Sensing range	
Read distance	2 ... 155 mm
Write distance	2 ... 140 mm
Width	145 mm
Operating distance	maximum: 140 mm
UL File Number	E87056 only from low voltage, limited energy source (SELV or PELV) or listed Class 2 source

Indicators/operating means

LED green/yellow	green: power on green flashing: read/write attempt performed yellow: data carrier detected
------------------	--

Electrical specifications

Power consumption	P_0	≤ 1.2 W
Supply	from the IDENTControl	

Ambient conditions

Ambient temperature	-25 ... 70 °C (-13 ... 158 °F)
Storage temperature	-40 ... 85 °C (-40 ... 185 °F)

Mechanical specifications

Protection degree	IP67
Connection	M12 x 1 connector
Material	
Housing	PBT/stainless steel/aluminium
Encapsulation compound	Fermadur
Installation	
Distance between two heads	Multiplex on: ≥ 180 mm Multiplex off: ≥ 1100 mm
Mass	approx. 1200 g

Compliance with standards and directives

Directive conformity	
R&TTE Directive 1995/5/EC	EN 301489-1 V1.8.1 (2008-04), EN 301489-3 V1.4.1 (2002-08), EN 300330-2 V1.3.1 (2006-04), EN 60950-1:2006
Standard conformity	
Electromagnetic compatibility	EN 61326
Protection degree	EN 60529