

Model Number

U-P3V4A-RX

Base with serial interfaces RS 232 and RS 485, stainless steel version V4A

Features

- high-grade steel housing V4A
- With serial interfaces RS 232 and RS 485
- Protection degree IP67
- Resistant against cleaning material

Function

The base is used in combination with an upper part, the IPT*-FP read/write station. Either a RS 232 or RS 485 interface is available.

The read/write station is connected to a higher-order control system via the serial interface and receives the commands for writing and/or reading code or data carriers via this interface.

Software

Communication with the identification system is very easy with the demo program IDENT 2005. It shows the system options and simplifies commissioning.

The demo program is included in the scope of delivery.

Matching system components

IPT-FP

Read/write station

IPT1-FP

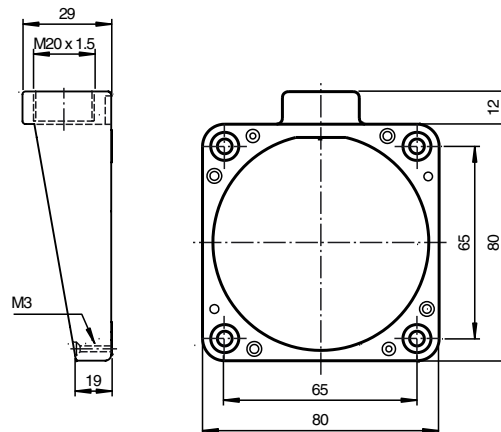
Read/write station

Accessories

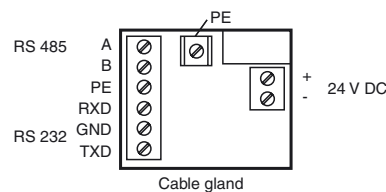
RFIDControl

Software for RFID identification systems

Dimensions



Electrical connection



Technical data

Electrical specifications

Rated operational voltage	U_e	20 ... 30 V DC, ripple 10 % _{SS} , PELV
Power consumption	P_0	max. 4 W with read/write head IPT*-FP

Electrical isolation

Operating voltage/interface	functional insulation acc. to DIN EN 50178, rated insulation voltage 50 V _{eff}
-----------------------------	--

Interface

Physical	RS 232/RS 485
Protocol	ASCII
Transfer rate	1200; 2400; 4800; 9600; 19200; 38400 Bit/s
Cable length	≤ 15 m at RS 232 ≤ 1200 m at RS 485

Ambient conditions

Ambient temperature	-25 ... 70 °C (-13 ... 158 °F)
Storage temperature	-40 ... 85 °C (-40 ... 185 °F)

Mechanical specifications

Protection degree	IP67 (only in connection with write/read head or cover)
Connection	screw terminals
Interface cable	3 conductor, acc. to RS 232 or 2 acc. to RS 485
Supply	up to 3 x 1.5 mm ²
Material	
Housing	stainless steel V4A

Compliance with standards and directives

Standard conformity	
Protection degree	EN 60529