



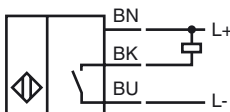
Model Number

CCN15-30GS60-E0

Features

- 15 mm not embeddable
- Operating distance adjustable via potentiometer
- High EMC resistance
- Stainless steel version
- Operating voltage range 10 V ... 60 V DC

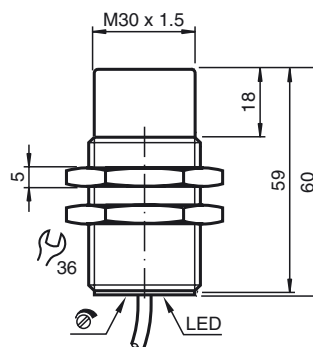
Connection



Accessories

BF 30
Mounting flange, 30 mm

Dimensions



Technical Data

General specifications

Switching element function	NPN	NO
Rated operating distance	s_n	15 mm
Installation	not embeddable	
Output polarity	DC	
Assured operating distance	s_a	0 ... 12.1 mm

Nominal ratings

Installation conditions	
A	18 mm
B	10 mm
C	30 mm
F	60 mm
Operating voltage	U_B 10 ... 60 V
Switching frequency	f 0 ... 10 Hz
Reverse polarity protected	reverse polarity protected
Short-circuit protection	pulsing
Voltage drop	U_d \leq 2.8 V
Operating current	I_L 0 ... 200 mA
Off-state current	I_r 0 ... 0.5 mA typ. 0.1 μ A at 25 °C
No-load supply current	I_o \leq 20 mA
Indication of the switching state	LED, yellow

Indicators/operating means

Potentiometer	sensitivity adjustment
---------------	------------------------

Ambient conditions

Ambient temperature	-25 ... 70 °C (-13 ... 158 °F)
Storage temperature	-40 ... 85 °C (-40 ... 185 °F)

Mechanical specifications

Connection type	cable PVC , 2 m
Core cross-section	0.75 mm ²
Housing material	Stainless steel 1.4305 / AISI 303
Sensing face	PBT
Protection degree	IP67

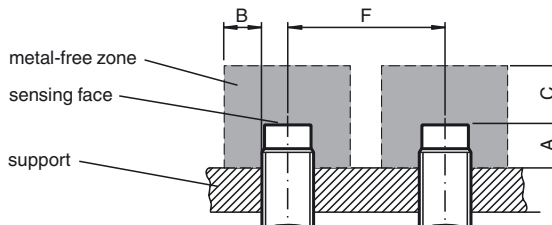
Compliance with standards and directives

Standard conformity	
Standards	EN 60947-5-2:2007 IEC 60947-5-2:2007

Approvals and certificates

UL approval	cULus Listed, General Purpose
CSA approval	cCSAus Listed, General Purpose

Installation conditions



Release date: 2012-02-09 15:33 Date of issue: 2012-02-09 189959_eng.xml