

**Model Number**

CJ10-30GK-WS

**Features**

- 10 mm non-flush
- The switching distance can be set over a wide range with the potentiometer

**Accessories**

BF 30  
Mounting flange, 30 mm

**Technical Data**

**General specifications**

Switching element function		AC	NO
Rated operating distance	$s_n$	10 mm	
Installation		non-flush	
Output polarity		AC	
Assured operating distance	$s_a$	0 ... 7.2 mm	

**Nominal ratings**

<b>Installation conditions</b>			
A		18 mm	
B		10 mm	
C		20 mm	
F		60 mm	
Operating voltage	$U_B$	20 ... 253 V AC <sup>1)</sup>	
Switching frequency	f	0 ... 10 Hz	
Hysteresis	H	2 ... 10 typ. 5 %	
Reverse polarity protection		reverse polarity tolerant	
Momentary current (20 ms, 0.1 Hz)		0 ... 1200 mA	
Rated insulation voltage	$U_{BIS}$	1500 V	
Operating current	$I_L$	5 ... 200 mA	
Lowest operating current	$I_m$	5 mA	
Off-state current	$I_r$	0.7 ... 1.5 mA typ.	
Time delay before availability	$t_v$	≤ 300 ms	
Switching state indicator		LED, yellow	

**Indicators/operating means**

Potentiometer	sensitivity adjustment
---------------	------------------------

**Ambient conditions**

Ambient temperature	-25 ... 70 °C (-13 ... 158 °F)
Storage temperature	-25 ... 85 °C (-13 ... 185 °F)

**Mechanical specifications**

Connection type	cable PVC, 2 m
Core cross-section	0.75 mm <sup>2</sup>
Housing material	PBT
Sensing face	PBT
Degree of protection	IP67
Note	<sup>1)</sup> In the temperature range below 0 °C, permissible operating voltage $U_b$ 80...253 V Safety fuse ≤ 0.8 A (quick-blow) according to IEC 60127-2 Sheet 1 Recommendation: after a short circuit, check that the device is functioning correctly.

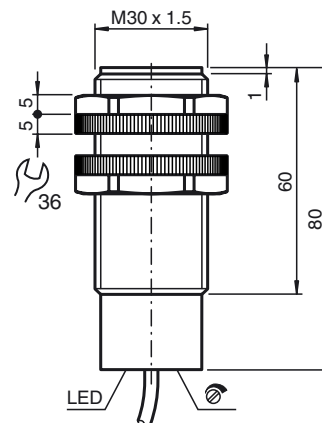
**Compliance with standards and directives**

<b>Standard conformity</b>	
Standards	EN 60947-5-2:2007 IEC 60947-5-2:2007

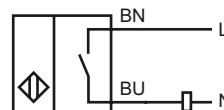
**Approvals and certificates**

UL approval	cULus Listed, General Purpose
CSA approval	cCSAus Listed, General Purpose
CCC approval	Certified by China Compulsory Certification (CCC)

**Dimensions**



**Electrical Connection**



Release date: 2014-05-22 07:55 Date of issue: 2014-05-22 020051\_eng.xml

Installation Conditions

