



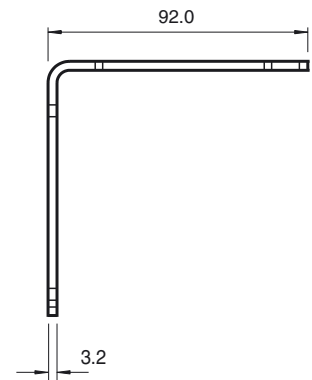
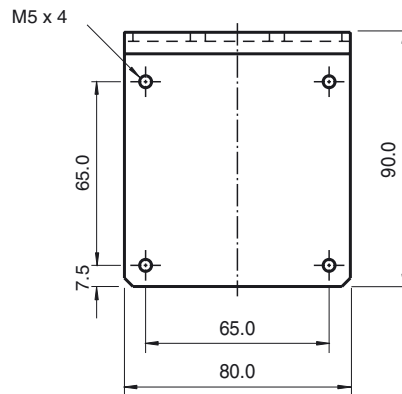
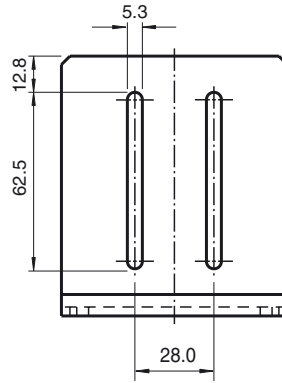
**Model Number**

**AB-FP**  
Mounting bracket

**Features**

- Mounting bracket for flat pack sensors

**Dimensions**



**Technical data**

**Mechanical specifications**

Material black Powder coated steel ( 1018 CRS )

**Note**

Using the mounting aid, sensors are fast and easy to fit.



Sensor fitted on the mounting aid

Release date: 2015-01-26 09:37 Date of issue: 2015-01-26 914256\_eng.xml