

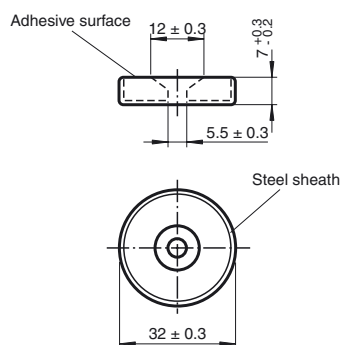


### Model Number

**DM 25-32-07**

Permanent magnet for magnetic field sensors

### Dimensions



### Technical data

#### Ambient conditions

Ambient temperature -40 ... 85 °C (-40 ... 185 °F)

#### Mechanical specifications

Material BaFe with steel jacket  
 Dimensions Height: 7 mm  
 Diameter: 32 mm

### Technical details

The hard ferrite magnet consists of a steel casing, which is open towards the adhesive surface and equipped with a barium ferrite magnet (BaFe). The magnetisation already takes place during the shaping and is thus in imposed axial direction (anisotropic).

The magnetic clamp disk can be screwed onto a surface through a centre hole with a countersunk screw to save space. For fastening, screw in a M5 countersunk screw made of unmagnetic, non-conducting material, e. g. V2A or brass from the direction of the adhesive surface.

| Characteristic                           | Value                         |       |                   |
|--|-------------------------------|-------|-------------------|
| Power product                            | (W x H) max.                  | 12    | kJ/m <sup>3</sup> |
| Remanence                                | B <sub>r</sub>                | 245   | mT                |
| Coercive field strength                  | JH <sub>C</sub>               | 207   | kA/m              |
| Coercive field strength                  | BH <sub>C</sub>               | 175   | kA/m              |
| Relative remanent permeability           | μ <sub>0</sub> μ <sub>r</sub> | 1.4   | mT/ kA/m          |
| Temperature coefficient of the remanence | α                             | -0,20 | %/°C              |
| Density                                  | r                             | 3.7   | g/cm <sup>3</sup> |