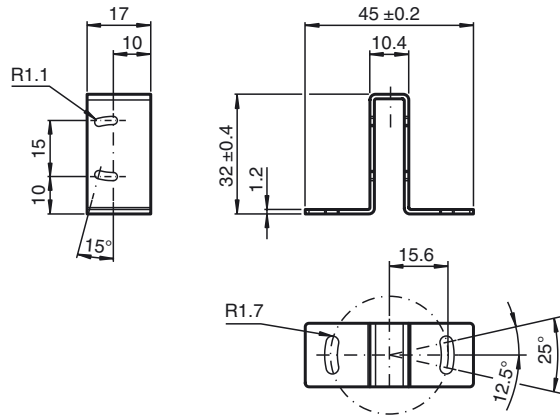




Dimensions



Model Number

MH-R2-01

Bracket for mounting R2 series sensors

Features

- Mounting bracket with protective shroud
- For top mounting
- Simple and fast mounting

Technical data

Mechanical specifications

Material	Stainless steel
Mass	approx. 15 g
Mounting	Mounting accessories included

Suitable series

Series	OB*-R2
--------	--------