



CE

Model Number

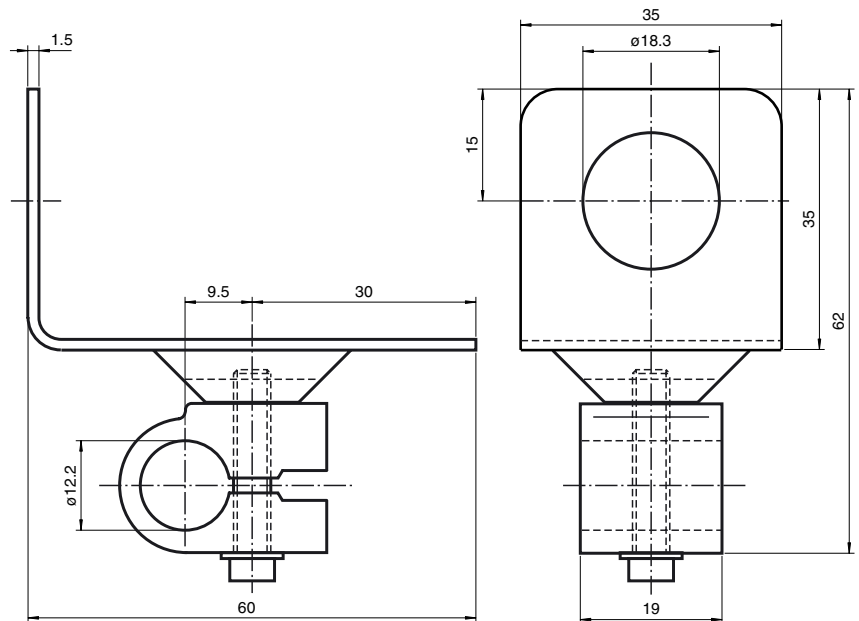
OMH-04

Mounting aid for round steel \varnothing 12 mm or sheet 1.5 mm ... 3 mm

Features

- Bracket for round steel or sheet

Dimensions



Technical data

Mechanical specifications

Material	Metal sheet (steel), nickel-plated aluminum
Mass	approx. 60 g

Suitable series

Series	VL18 18GM60 CP18
--------	------------------------