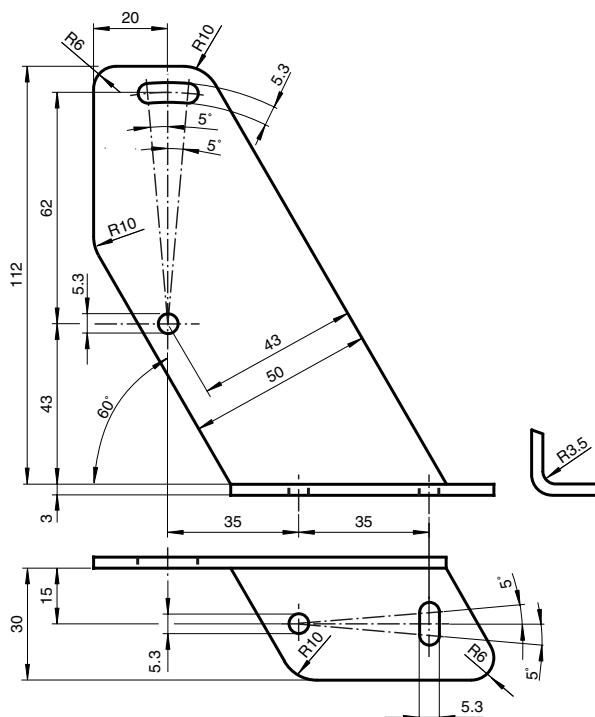




Dimensions



Model Number

OMH-21
Mounting bracket

Features

- Mounting bracket
- Simple and fast mounting

Technical data

Mechanical specifications	
Material	Powder coated steel
Mass	approx. 175 g
Mounting	Mounting accessories included
Suitable series	
Series	RL23 RL28 RL29
Safety Series	SLA20 SLA28 SL29, SLA29

Release date: 2014-06-05 11:40 Date of issue: 2014-06-05 405584_eng.xml

Refer to "General Notes Relating to Pepperl+Fuchs Product Information".