



### Model Number

**OMH-LS610-01**

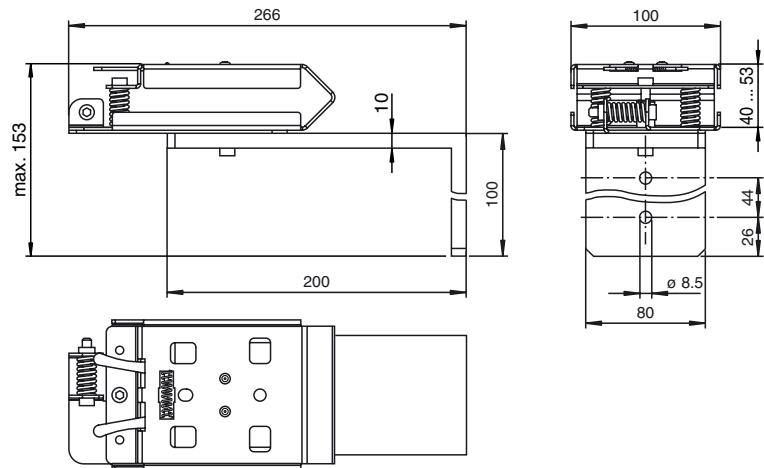
Mounting bracket for optical data coupler

### Features

- Fixing with latching spring or latch fastener for easy installation
- Simple and fast mounting

Quick clamp and adjustment system

### Dimensions



### Technical data

#### Mechanical specifications

Material	black coated aluminum zinc-plated black steel
Mass	approx. 1500 g

#### Suitable series

Series	LS610 LS611 VDM100 LS680 , LS682
--------	---