



CE

### Model Number

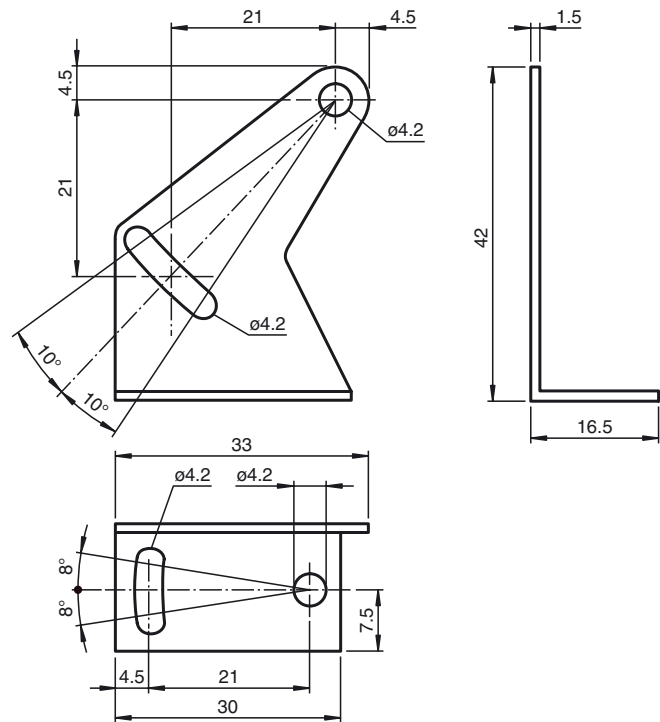
**OMH-ML300-01**

Bracket for mounting ML300 series sensors

### Features

- Mounting accessories for ML300 series sensors
- Simple and fast mounting

### Dimensions



### Technical data

#### Mechanical specifications

|          |                               |
|----------|-------------------------------|
| Material | Zink plated steel             |
| Mass     | approx. 13 g                  |
| Mounting | Mounting accessories included |

#### Suitable series

|        |       |
|--------|-------|
| Series | ML300 |
|--------|-------|