



**Model Number**

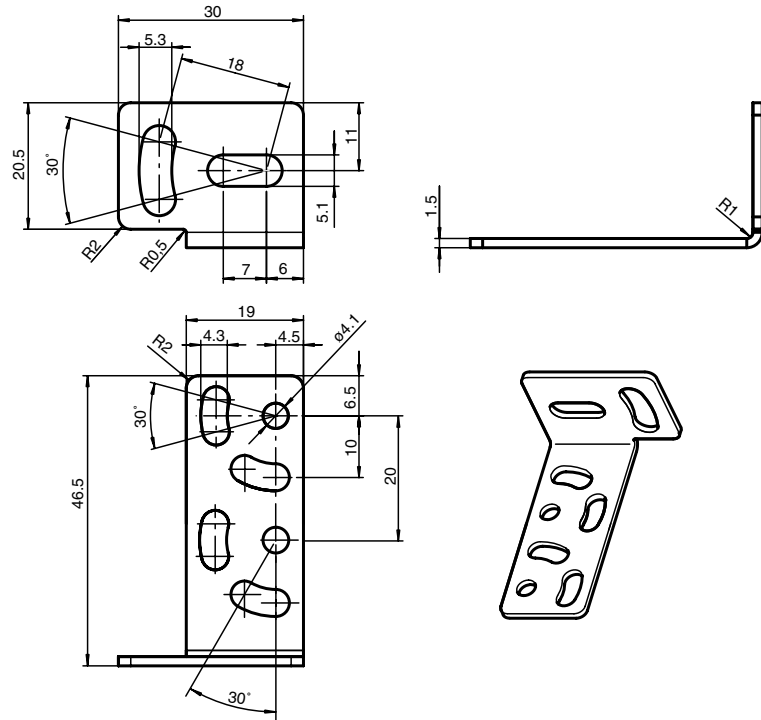
**OMH-MLV12-HWG**

Mounting bracket for series MLV12 sensors

**Features**

- Mounting bracket
- Simple and fast mounting

**Dimensions**



**Technical data**

**Mechanical specifications**

Material	nickel-plated steel
Mass	approx. 15 g

**Suitable series**

Series	MLV12
Safety Series	SL12, SLA12

Release date: 2005-06-22 09:49 Date of issue: 2015-01-15 115151\_eng.xml

Refer to "General Notes Relating to Pepperl+Fuchs Product Information".