

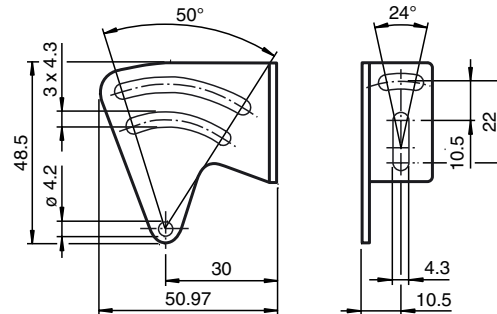


### Model Number

**OMH-VDM18-01**

Mounting accessory, distance measuring devices Series VDM18

### Dimensions



### Technical data

#### Mechanical specifications

Material	Stainless steel
Mass	approx. 24 g
Mounting	Mounting accessories included

#### Suitable series

Series	VDM18
--------	-------