



**Model Number**

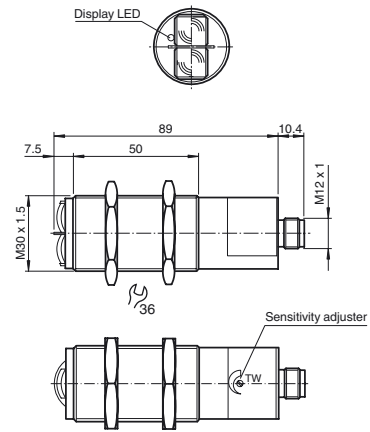
**GLV30-8-2000-2372**

Diffuse mode sensor  
connector M12 x 1, 4-pin

**Features**

- M30 plastic housing
- Dark-On switching

**Dimensions**

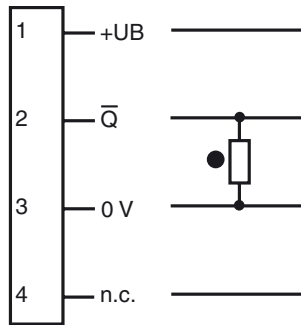


Unit connector



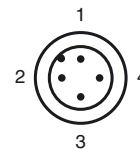
**Electrical connection**

Option:



- = Light on
- = Dark on

**Pinout**



Release date: 2012-04-10 14:37 Date of issue: 2012-04-10 4-19126\_eng.xml

**Technical data****General specifications**

|                            |   |
|----------------------------|---|
| Detection range            | 100 ... 2500 mm                         |
| Adjustment range           | 500 ... 2500 mm                         |
| Light source               | IREL                                    |
| Light type                 | modulated infrared light                |
| Approvals                  | CE                                      |
| Diameter of the light spot | approx. 450 mm at a distance of 2000 mm |
| Angle of divergence        | $\pm 7^\circ$                           |
| Ambient light limit        | 30000 Lux                               |

**Indicators/operating means**

|                  |  |
|------------------|--|
| Function display | LED yellow, lights up if receiver is not lit |
| Controls         | Detection range adjuster                     |

**Electrical specifications**

|                        |       |                    |
|------------------------|-------|--------------------|
| Operating voltage      | $U_B$ | 24 V DC $\pm$ 20 % |
| Ripple                 |       | 10 %               |
| No-load supply current | $I_0$ | 30 mA              |

**Output**

|                     |  |       |
|---------------------|--|-------|
| Switching type      | dark on  |       |
| Signal output       | 1 PNP, short-circuit protected, reverse polarity protected, open collector |       |
| Switching voltage   | max. 30 V DC   |       |
| Switching current   | max. 200 mA  |       |
| Switching frequency | f  | 35 Hz |
| Response time       |  | 10 ms |

**Standard conformity**

|           |              |
|-----------|--------------|
| Standards | EN 60947-5-2 |
|-----------|--------------|

**Ambient conditions**

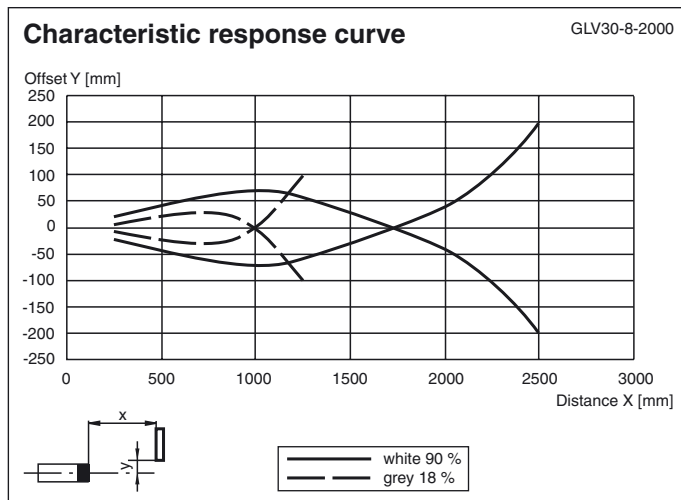
|                     |                               |
|---------------------|-------------------------------|
| Ambient temperature | -20 ... 60 °C (-4 ... 140 °F) |
| Storage temperature | -20 ... 75 °C (-4 ... 167 °F) |

**Mechanical specifications**

|                   |                                  |
|-------------------|----------------------------------|
| Protection degree | IP67                             |
| Connection        | Plastic connector M12 x 1, 4-pin |
| Material          |                                  |
| Housing           | ABS                              |
| Optical face      | plastic lenses                   |
| Mass              | approx. 70 g                     |

**Approvals and certificates**

|              |  |
|--------------|--|
| CCC approval | Products with a maximum operating voltage of $\leq 36$ V do not bear a CCC marking because they do not require approval. |
|--------------|--|

**Curves/Diagrams****Accessories****V1-G-2M-PUR**

Cable socket, M12, 4-pin, PUR cable

**V1-W-2M-PUR**

Cable socket, M12, 4-pin, PUR cable

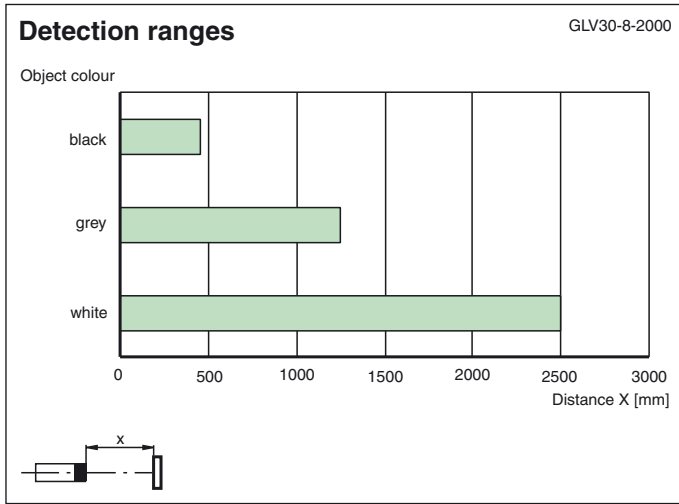
**BF 30**

Mounting flange, 30 mm

**BF 30-F**

Mounting flange with dead stop, 30 mm

Other suitable accessories can be found at [www.pepperl-fuchs.com](http://www.pepperl-fuchs.com)



Release date: 2012-04-10 14:37 Date of issue: 2012-04-10 4 19126\_eng.xml

Subject to modifications without notice

Pepperl+Fuchs Group  
www.pepperl-fuchs.com

USA: +1 330 486 0001  
fa-info@us.pepperl-fuchs.com

Germany: +49 621 776-4411  
fa-info@pepperl-fuchs.com

Copyright Pepperl+Fuchs  
Singapore: +65 6779 9091  
fa-info@sg.pepperl-fuchs.com