



Model Number

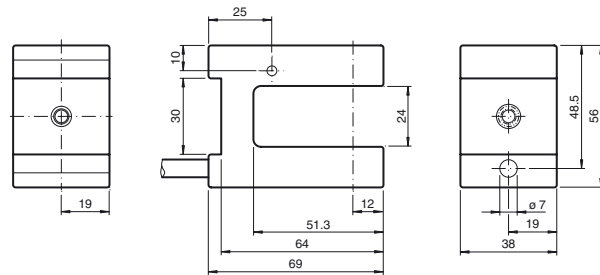
GL-ES-IR-5800/115/120

Photoelectric slot sensor

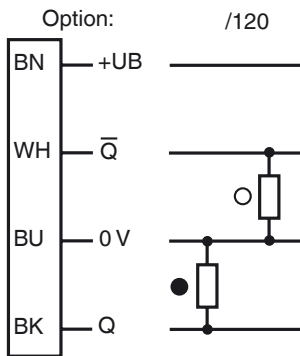
Features

- Infrared light source
- Not sensitive to ambient light
- High switching frequency
- Robust and insensitive to ambient interference
- Tolerant to supply voltage variations up to 60 V DC

Dimensions

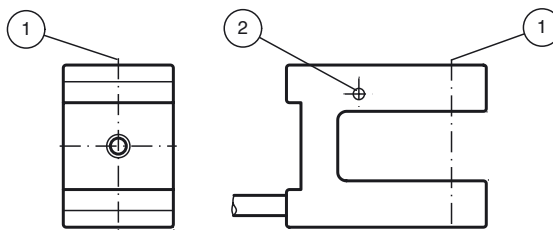


Electrical connection



- = Light on
- = Dark on

Indicators/operating means



| | | |
|---|----------------|-----|
| 1 | Optical axis | |
| 2 | Signal display | red |

Release date: 2012-11-14 16:13 Date of issue: 2012-11-14 253073_eng.xml

Technical data**General specifications**

| | |
|---------------------|---|
| Sensing range | 0 ... 24 mm |
| Light source | LED |
| Light type | infrared , 950 nm |
| Tests | EN 60947-5-2 |
| Marking | CE |
| Fork width | 24 mm |
| Ambient light limit | halogen light 100000 Lux ; according to EN 60947-5-2:2007 |

Indicators/operating means

| | |
|-------------------|---------|
| Operating display | LED red |
|-------------------|---------|

Electrical specifications

| | | |
|--------------------------------|-------|----------------|
| Operating voltage | U_B | 10 ... 30 V DC |
| Ripple | | 10 % |
| No-load supply current | I_0 | ≤ 25 mA |
| Time delay before availability | t_v | ≤ 10 ms |

Output

| | |
|---------------------|---|
| Switching type | light/dark on |
| Signal output | 2 PNP complementary , Reverse polarity protection , open collectors |
| Switching voltage | max. 30 V DC |
| Switching current | max. 100 mA |
| Voltage drop | U_d ≤ 2 V |
| Switching frequency | f 100 Hz |
| Response time | 5 ms |

Ambient conditions

| | |
|---------------------|--------------------------------|
| Ambient temperature | -25 ... 55 °C (-13 ... 131 °F) |
| Storage temperature | -30 ... 70 °C (-22 ... 158 °F) |

Mechanical specifications

| | |
|-------------------|-------------------|
| Protection degree | IP67 |
| Connection | 3.5 m fixed cable |
| Material | |
| Housing | PPO |
| Optical face | PC |

Compliance with standards and directives

| | |
|---------------------|---|
| Standard conformity | |
| Product standard | EN 60947-5-2:2007 IEC 60947-5-2:2007 |