



CE

Model Number

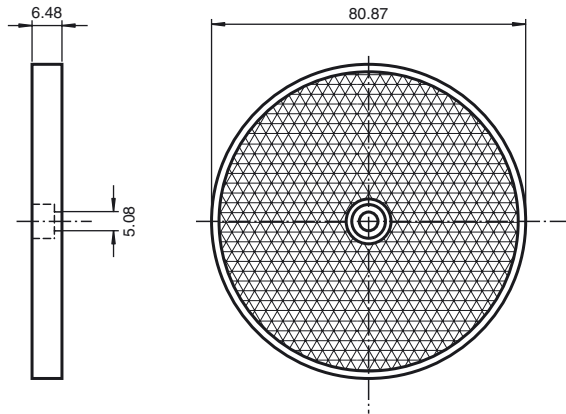
FE-RR1

Reflector, round \varnothing 80.87 mm, central mounting hole

Features

- Mounting holes for simple installation
- Round, corner-cube reflector

Dimensions



Technical data

General specifications

Construction type circular

Ambient conditions

Ambient temperature -20 ... 85 °C (-4 ... 185 °F)

Mechanical specifications

Material PMMA/ABS

Dimensions Diameter: 80.87 mm

Mounting mounting hole