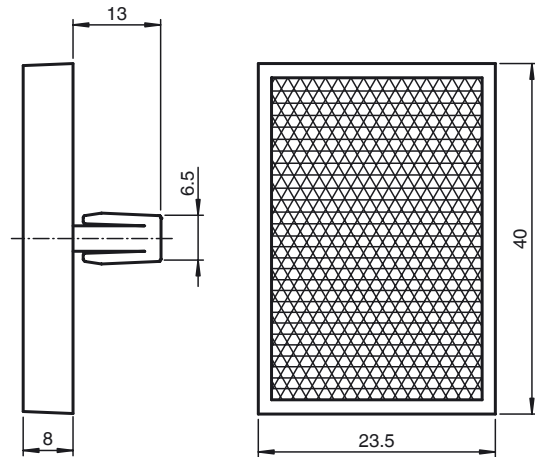


## Dimensions



### Model Number

**REF-CLIP40**

Reflector, rectangular 40 mm x 23.5 mm, snap-in

### Features

- Simple installation with snap-in fastener

## Technical data

### General specifications

Construction type rectangular

### Ambient conditions

Ambient temperature -20 ... 85 °C (-4 ... 185 °F)

### Mechanical specifications

Material PMMA/ABS

Dimensions 40 mm x 23.5 mm x 8 mm

Mounting Snap-in