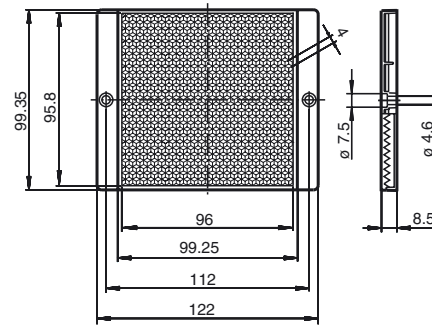


## Dimensions



## Technical data

### General specifications

|                   |             |
|-------------------|-------------|
| Construction type | rectangular |
|-------------------|-------------|

### Ambient conditions

|                     |                                |
|---------------------|--------------------------------|
| Ambient temperature | -40 ... 70 °C (-40 ... 158 °F) |
|---------------------|--------------------------------|

### Mechanical specifications

|            |                            |
|------------|----------------------------|
| Material   | PMMA                       |
| Dimensions | 122 mm x 99.35 mm x 8.5 mm |
| Mounting   | mounting holes             |

## Model Number

### REF-H100

Reflector, rectangular 122 mm x 99.35 mm, mounting holes

## Features

- Mounting holes for simple installation