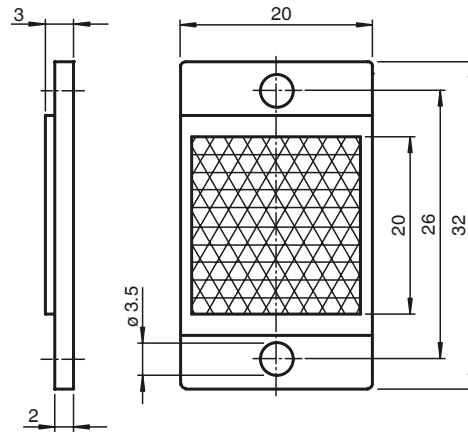


Dimensions



Model Number

REF-MH20

Reflector with Micro-structure, rectangular 32 mm x 20 mm, mounting holes

Features

- Mounting holes for simple installation
- Micro-structure

Technical data

General specifications

Construction type	rectangular
Tripel height	approx. 1.2 mm

Ambient conditions

Ambient temperature	-20 ... 85 °C (-4 ... 185 °F)
---------------------	-------------------------------

Mechanical specifications

Material	PMMA/ABS
Dimensions	32 mm x 20 mm x 3 mm
Mounting	mounting holes