



### Model Number

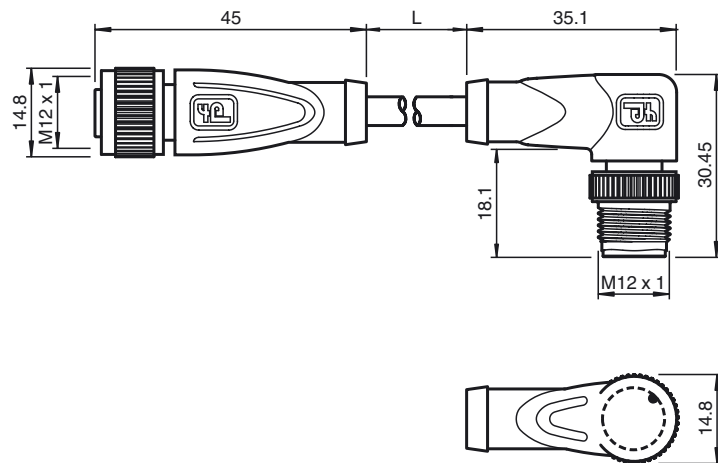
**V1-G-0,3M-PUR-ABG-V1-W-Y**

Connecting cable, M12 to M12, PUR cable, 4-pin, bridged, shielded

### Features

- Pins 3 and 4 are bridged
- Shield attached to coupling nut
- Knurled nut suitable for tool assembly
- Immunity to vibration, with mechanical latching
- Gold-plated and machined contacts
- Protection degree IP67 / IP68 / IP69K
- Halogen-free

### Dimensions



### Technical data

#### General specifications

Number of pins	4 + shield (Pins 3 and 4 are bridged)
Connection 1	socket
Construction type 1	straight
Threading 1	M12
Connection 2	Male connector
Construction type 2	right angle
Threading 2	M12

#### Electrical specifications

Operating voltage	$U_B$	max. 250 V AC/DC
Operating current		max. 4 A
Volume resistance		< 5 m $\Omega$

#### Ambient conditions

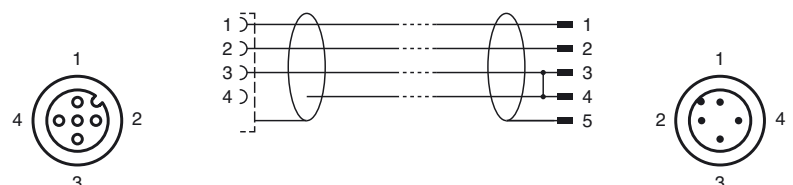
Ambient temperature	-40 ... 90 °C (-40 ... 194 °F) cable, flexing: -25 ... 80 °C (-13 ... 176 °F) cable, fixed: -40 ... 80 °C (-40 ... 176 °F)
Pollution Degree	3

#### Mechanical specifications

Contact elements	spring-loaded contact socket	
Pin diameter	1 mm	
Protection degree	IP67	
Material		
Contacts	CuSn / Au	
Contact surface	Au	
Body	TPU, green	
Cable	PUR	
Slotted nut	Diecast zinc	
Sleeve connector	Diecast zinc	
Core insulation	PP	
Cable	fine-strand, flexible	
Sheath diameter	$\varnothing$ 4.8 mm	
Bending radius	> 10 x cable diameter, moving 5 x cable diameter, single bend	
Color	grey	
Cores	4 x 0.34 mm <sup>2</sup>	
Conductor construction	19 x 0.15 mm $\varnothing$	
Shield	grid covering 85 %	
Length	L	0.3 m
Flammability		
Contact material	94 HB	
Housing	94 V-2	

#### Compliance with standards and directives

### Electrical connection





Standard conformity	
Protection degree	EN 60529:2000
Standards	IEC 61076-2-101:2008

Release date: 2013-08-14 13:14 Date of issue: 2013-08-14 242211\_eng.xml