

Sensor-actuator cable



Field-attachable connectors



**Features**

- Knurled nut suitable for tool mounting
- Mechanical detent for vibration protection
- Gold-plated and machined contacts
- Degree of protection: IP67 / IP68 / IP69K

Junction blocks

Sensor-actuator splitters

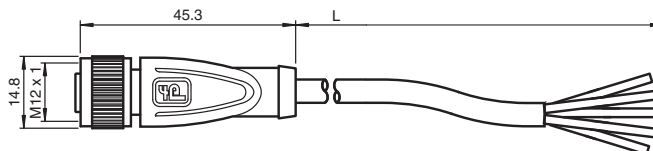
Sensor-actuator receptacles

Data connectors

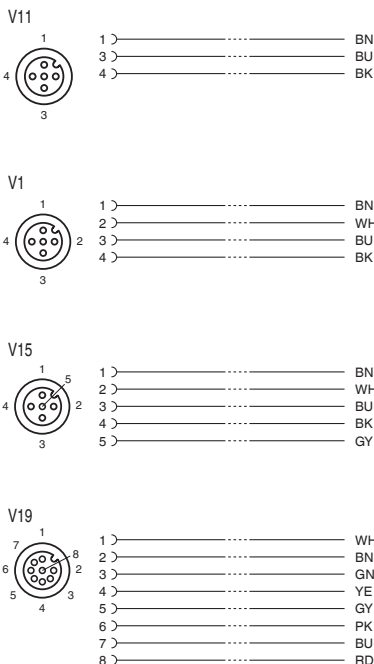
**Technical data**

Number of pins	3	4	5	8
<b>Electrical data</b>				
Operating voltage $U_B$	Max. 250 V AC/DC	Max. 60 V AC/DC	Max. 30 V AC/DC	
Testing voltage	> 1500 V <sub>eff</sub> AC			
Operating current	Max. 4 A		Max. 2 A	
Volume resistance	< 5 mΩ			
<b>Ambient conditions</b>				
Ambient temperature	-40 ... 90 °C for body Information on cable quality can be found beginning on page 10			
Degree of pollution	3			
<b>Mechanical data</b>				
Contact elements	Spring-loaded contact sockets			
Degree of protection	IP67 / IP68 / IP69K			
<b>Material</b>				
Contacts	CuSn / Au			
Contact surface	Au			
Body	TPU, black			
Coupling nut	Die-cast zinc			
<b>Approvals and certificates of compliance</b>				
UL file number	E231213 Prerequisite for UL approval is the use of a UL-approved cable quality.			

**Dimensions**



**Electrical connection**



**Order codes**

**Cable lengths in m**  
0.3 to 50

**V . . . - G - . . . . M - . . . . . . . . . .**

**Cable quality**

- PVC	PVC, gray (0.34 mm <sup>2</sup> )	V11	○	V1	○	V15	○	V19	-
BK PVC-U	PVC, UL-approved, black (0.34 mm <sup>2</sup> )	V11	○	V1	○	V15	-	V19	-
YE PVC-U	PVC, UL-approved, yellow (0.34 mm <sup>2</sup> )	V11	○	V1	○	V15	-	V19	-
- PUR	PUR, halogen-free, gray (0.34 mm <sup>2</sup> )	V11	●	V1	●	V15	●	V19	-
BK PUR-U	PUR, halogen-free, UL-approved, black (0.34 mm <sup>2</sup> )	V11	○	V1	○	V15	-	V19	-
YE PUR-U	PUR, halogen-free, UL-approved, yellow (0.34 mm <sup>2</sup> )	V11	○	V1	○	V15	-	V19	-
BK PUR-U	PUR, halogen-free, UL-approved, black (0.25 mm <sup>2</sup> )	V11	-	V1	-	V15	-	V19	●
BK PUR-U/0.75	PUR, halogen-free, UL-approved, black (0.75 mm <sup>2</sup> )	V11	-	V1	-	V15	○	V19	-
- PUR H/S	PUR, halogen-free, irradiated, orange (0.34 mm <sup>2</sup> )	V11	-	V1	○	V15	-	V19	-
OR POC	POC, welding bead resistant, orange (0.34 mm <sup>2</sup> )	V11	-	V1	○	V15	-	V19	-

● Standard, cable lengths of 2 m, 5 m and 10 m available in stock  
○ Available, minimum order quantity applies in some cases  
- Not available

**Number of pins**

V11 3-pin  
V1 4-pin  
V15 5-pin  
V19 8-pin