



### Model Number

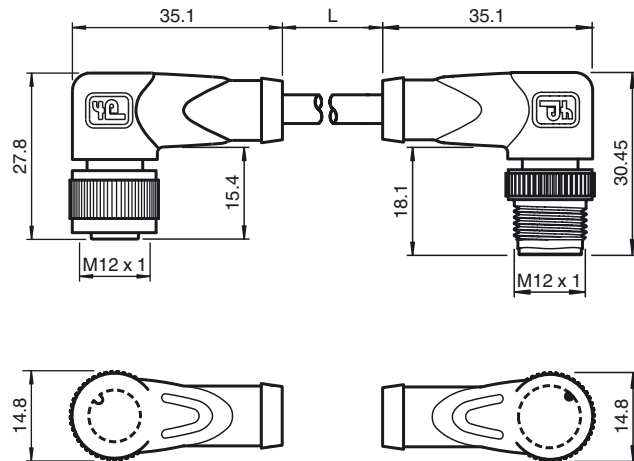
**V1-W-1,1M-PUR-ABG-V1-W**

Connecting cable, M12 to M12, PUR cable 4-pin, shielded

### Features

- Knurled nut suitable for tool assembly
- Immunity to vibration, with mechanical latching
- Shield attached to coupling nut
- Gold-plated and machined contacts
- Degree of protection IP67 / IP68 / IP69K
- Halogen-free

### Dimensions



### Technical data

#### General specifications

Number of pins	4 + shield
Connection 1	socket
Construction type 1	right angle
Threading 1	M12
Connection 2	Male connector
Construction type 2	right angle
Threading 2	M12

#### Electrical specifications

Operating voltage	$U_B$	max. 250 V AC/DC
Operating current		max. 4 A
Contact resistance		< 10 mΩ

#### Ambient conditions

Ambient temperature	-40 ... 90 °C (-40 ... 194 °F) for 20000 h -40 ... 125 °C (-40 ... 257 °F) for 3000 h
Pollution Degree	3

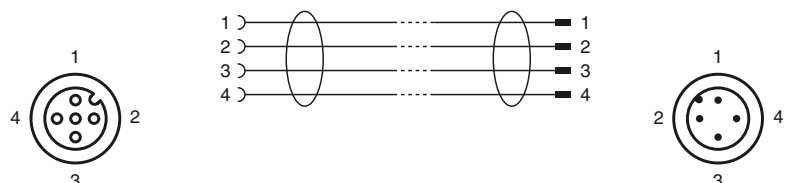
#### Mechanical specifications

Contact elements	spring-loaded contact socket	
Pin diameter	1 mm	
Degree of protection	IP67 / IP68 / IP69k	
Material		
Contacts	CuSn / Au	
Contact surface	Au	
Body	TPU, green	
Cable	PUR	
Slotted nut	Diecast zinc	
Sleeve connector	Diecast zinc	
Core insulation	PP	
Cable	fine-strand, flexible	
Sheath diameter	Ø4.8 mm	
Bending radius	> 10 x cable diameter, moving	
Color	grey	
Cores	4 x 0.34 mm <sup>2</sup>	
Conductor construction	19 x 0.15 mm Ø	
Shield	grid covering 85 %	
Length	L	1.1 m
Flammability		
Contact material	94 HB	
Housing	94 V-2	

#### Compliance with standards and directives

Standard conformity	
Degree of protection	EN 60529:2000

### Electrical connection



Release date: 2014-03-25 14:27 Date of issue: 2014-03-25 228081\_eng.xml



Standards

IEC 61076-2-101:2008

Release date: 2014-03-25 14:27 Date of issue: 2014-03-25 228081\_eng.xml