

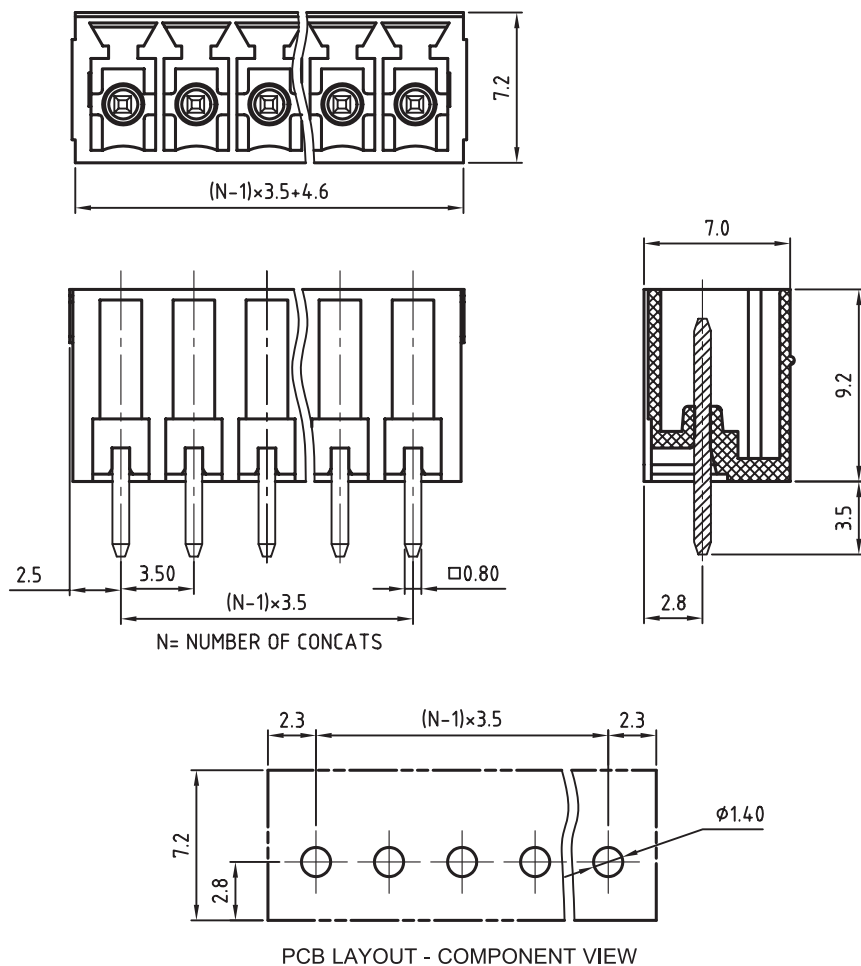
1

2

3

4

5



#### TECHNICAL CHARACTERISTICS

##### MATERIAL

INSULATOR: PA 66  
 FLAMABILITY RATING: UL94-V0  
 COLOR: GREEN  
 CONTACT: BRASS  
 SOLDER TAIL PLATING: TIN

##### ENVIRONMENTAL

OPERATING TEMPERATURE: -40 UP TO 105°C  
 COMPLIANCE: LEAD FREE AND ROHS

##### ELECTRICAL

|                       |             |        |
|-----------------------|-------------|--------|
|                       | cULus       | VDE    |
| CURRENT RATING:       | 10A         | 10.5A  |
| WORKING VOLTAGE:      | 300VAC      | 300VAC |
| WITHSTANDING VOLTAGE: | 1.6KV       | 2.5KV  |
| CONTACT RESISTANCE: □ | 20 mOhm max |        |

##### MECHANICAL

PITCH: 3.5MM

SOLDERING: WAVE PROCESS ONLY

PACKAGING: BOX

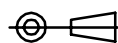
SERIE 3211

CERTIFICATION



RoHS Compliant

PROJECTION:



GENERAL TOLERANCE

.X = +/- 0.2

.XX = +/- 0.15



APPROVAL: RJ

UNIT: MM

SCALE:

SHEET: 1/1

DRAW: MARVIN

DESCRIPTION: SERIE 3211 - 3.50MM VERTICAL PCB HEADER WR-TBL

WERI PART NO: 691 321 100 0xx

SIZE

**A4**

|     |             |         |    |
|-----|-------------|---------|----|
| G   |             |         |    |
| F   |             |         |    |
| E   |             |         |    |
| D   |             |         |    |
| C   |             |         |    |
| B   |             |         |    |
| A □ | 31-OCT-08 □ | PDF □ □ | JP |
| REV | DATE        | FILE    | BY |