

(1:1)

Execution: Press-Fit
Surface coating 5-10µm Sn on 2-4µm Cu

| | | | | | | | | |
|--------------|--------|--------------|----------------|--------------|------------------|--|---------------------|---------------------|
| (PROJECTION) | | (TOLERANCES) | DIN ISO 2768-m | | (SURFACE) | SCALE | 2:1 | TOTAL WEIGHT: 3,9 g |
| | | | (MATERIAL) | CuZn39Pb3 | | WEIGHT Cu: 0,0155 g | WEIGHT Sn: 0,0317 g | |
| F | | | DATE | NAME | (TITLE) | Power Element 90° with hole Ø3,2 full plain Pin-Plate | | |
| | | DRAWN | 2009/07/15 | Dino Cantara | | | | |
| | | VERIFIED | 2009/07/15 | Heiko Schmid | | | | |
| | | | | | | | | |
| | | | | | (DRAWING NUMBER) | 7461110 | Sheet | 1 |
| ISSUE | CHANGE | DATE | | | NAME | | | 1 |

1

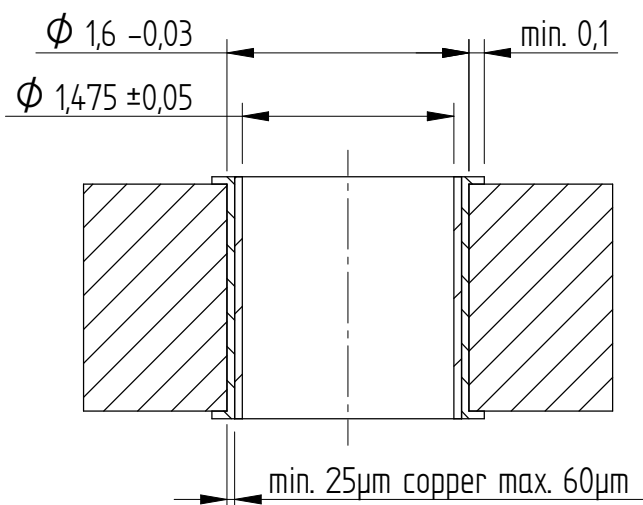
2

3

4

A

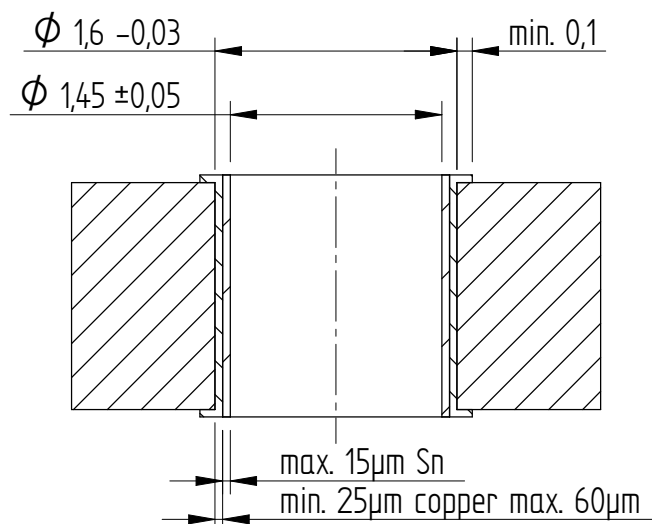
Drill hole specification for chemical surfaces



B

C

Drill hole specification for HAL



D

E

This electronic component is designed and developed with the intention for use in general electronics equipments. Before incorporating the components into any equipments in the field such as aerospace, aviation, nuclear control, submarine, transportation, (automotive control, train control, ship control), transportation signal, disaster prevention, medical, public information network etc. where high safety and reliability are especially required or if there is possibility of direct damage or injury to human body, Würth Elektronik must be asked for a written approval. In addition, even electronic component in general electronic equipments, when used in electrical circuits that require high safety, reliability functions or performance, the sufficient reliability evaluation-check for the safety must be performed before by the user before usage.

F

(PROJECTION)



(TOLERANCES)

DIN ISO 2768-m

(SURFACE)

SCALE 20:1

(MATERIAL)

| | DATE | NAME |
|----------|------------|---------------|
| DRAWN | 2013/08/27 | Dino Cantara |
| VERIFIED | 2013/08/27 | Wladimir Werz |

(TITLE)

Power Elements Specification
Press-fit system

(DRAWING NUMBER)



Sheet 1

1

| ISSUE | CHANGE | DATE | NAME |
|-------|--------|------|------|
| | | | |

CONFIDENTIAL !! ALL RIGHTS RESERVED. Passing on or duplication without prior written agreement prohibited.