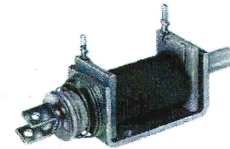


# SCA Solenoid

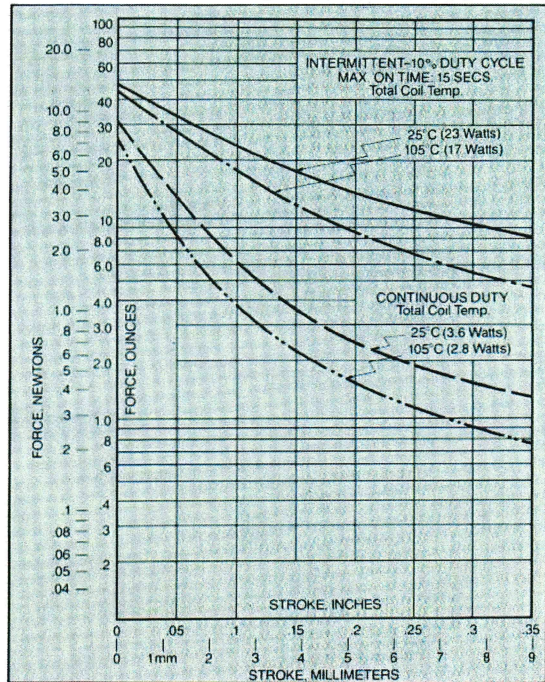


## Specifications

**Type of Operation:** Push or pull  
**Standard Voltages:** 6 VDC, 12 VDC, 24 VDC. (Others available on request)  
**Insulation Material:** Class "B" standard (Others available on request)  
**Coil Finish:** Acetate tape standard (Also available: varnish dip, glass cloth tape, fungus resistant finish)  
**Coil Terminations:** Terminals per drawing standard (Also available: flying leads, bent terminals, banded terminals, solder lugs)

**Plating Standards:** Frame—Zinc, chromate; Clevis—Zinc; Plunger—Electroplate Nickel; Stop—Electroless Nickel (Others available on request)  
**Plunger Type:** Slot and cross drilled per drawing standard (Options available per drawing)  
**Plunger Weight:** 0.3 ounces standard

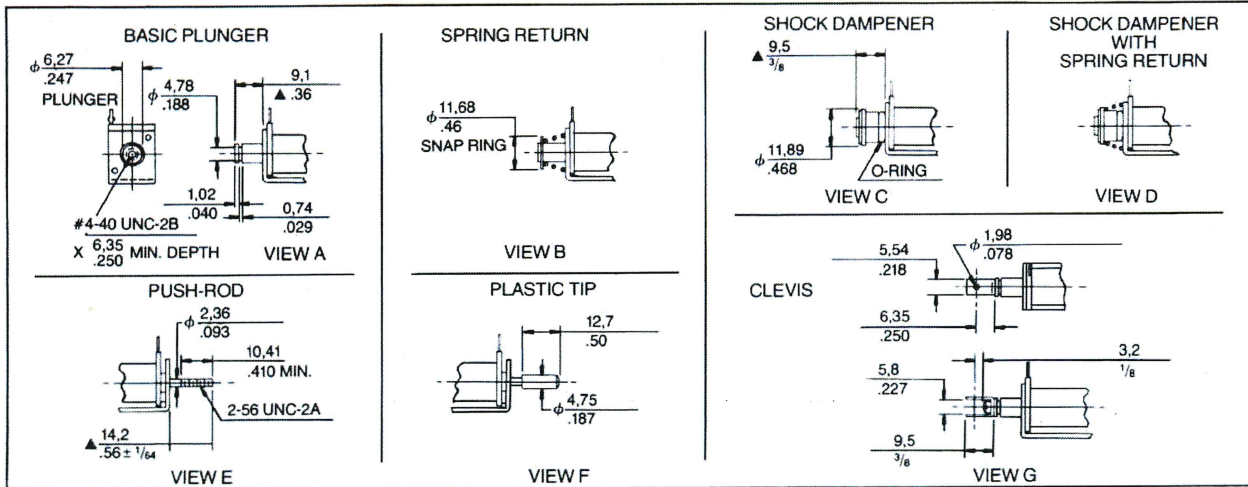
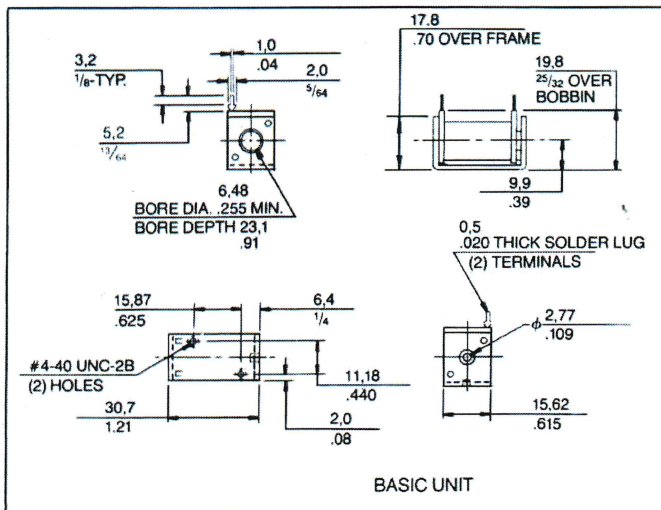
## DC Performance Data



Duty Cycle	Maximum "On" Time	Stroke vs. Force* (inches)	Rated Power (watts)
Continuous	∞	0.0	32.0
		0.1	6.3
		0.2	2.4
10%	15 sec.	0.0	48.0
		0.1	23.5
		0.2	13.8

\* TYPICAL FORCE @ 25°C AND NOMINAL RATED DC VOLTAGE

## Dimensions



▲ ENERGIZED DIM.

## JEWELL INSTRUMENTS, LLC

850 PERIMETER ROAD → MANCHESTER, NEW HAMPSHIRE 03103 USA  
 TOLL FREE: 800 227-5955 → TEL: 603 669-6400 → FAX: 603 669-5962  
 EMAIL: sales@jewellinstruments.com → WEB: www.jewellinstruments.com