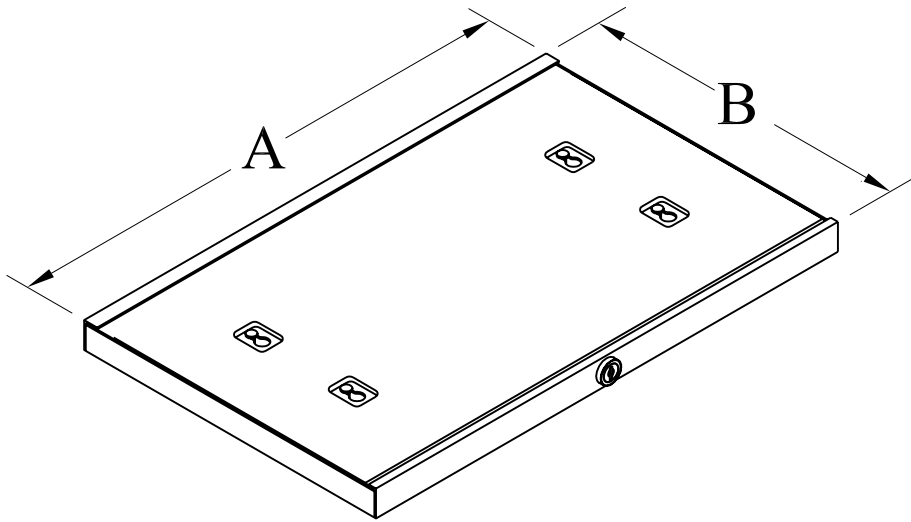
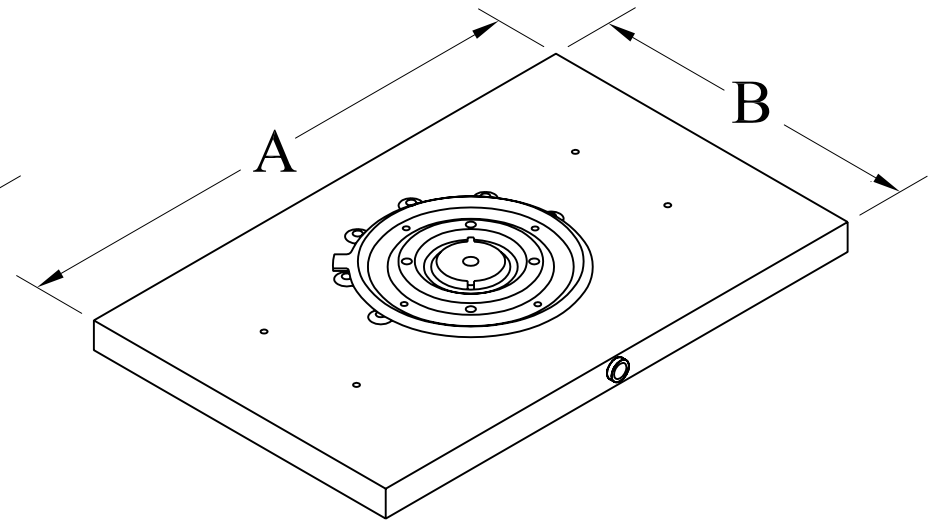


5100 SERIES FURNITURE MOUNTS



TOP VIEW



BOTTOM VIEW

MODEL NO.	SWIVEL	TILT	LOAD LIMIT	PLATFORM WIDTH (A)	PLATFORM DEPTH (B)	PLATFORM HEIGHT	PLATFORM TYPE	FINISH
5100 *	360°	0°	100 lbs	19"	12"	1"	Locking	Black Wrinkle or Brown
5101 *	360°	0°	100 lbs	15"	12"	1"	Locking	Black Wrinkle or Brown
5102 *	360°	0°	100 lbs	23"	11"	1"	Locking	Black Wrinkle or Brown
5103 *	360°	0°	125 lbs	22"	14"	1"	Locking	Black Wrinkle or Brown
5104 *	360°	0°	125 lbs	25"	14"	1"	Locking	Black Wrinkle or Brown
5107 *	360°	0°	100 lbs	17"	12"	1"	Locking	Black Wrinkle or Brown
5110 *	360°	0°	100 lbs	10"	12"	1"	Locking	Black Wrinkle or Brown
5112 *	360°	0°	100 lbs	12"	11"	1"	Locking	Black Wrinkle or Brown
5118 *	360°	0°	100 lbs	18"	8-1/2"	1"	Locking	Black Wrinkle or Brown
5119 *	360°	0°	100 lbs	19-1/4"	12-1/4"	1"	Locking	Black Wrinkle or Brown
5120 *	360°	0°	100 lbs	20"	9"	1"	Locking	Black Wrinkle or Brown

* APPEND "A" TO MODEL NUMBER FOR ADHESIVE MOUNTING