



■ Features :

- AC input range selectable by switch
- Protections: Short circuit / Overload / Over voltage / Over temperature
- 100% full load burn-in test
- Fixed switching frequency at 90KHz
- Low cost
- High reliability
- 2 years warranty

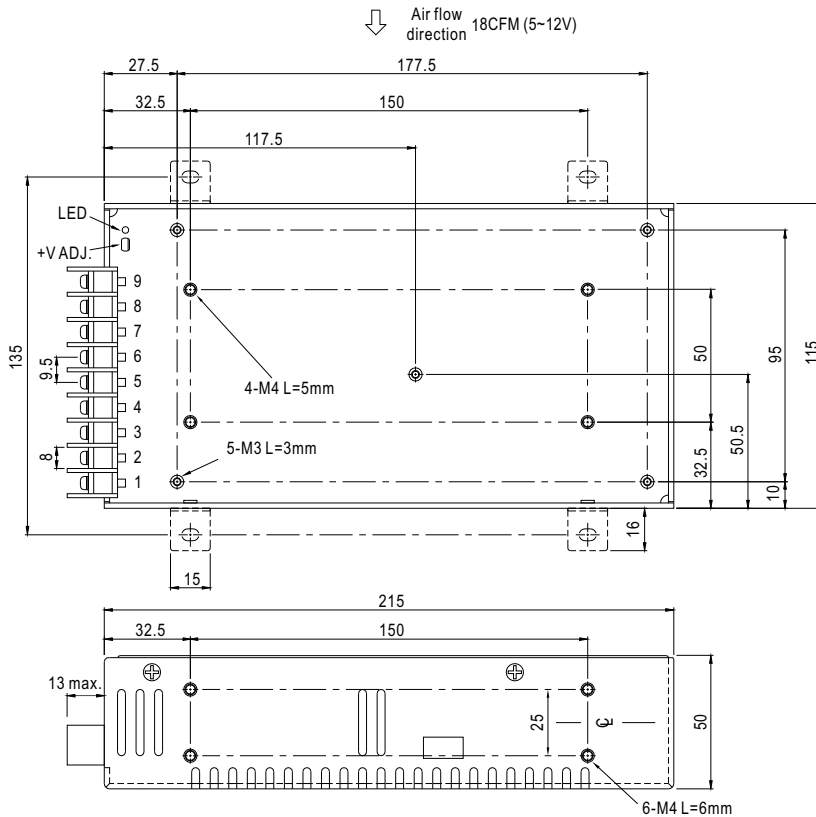


SPECIFICATION

| MODEL | S-210-5 | S-210-7.5 | S-210-12 | S-210-13.5 | S-210-15 | S-210-24 | S-210-27 | S-210-48 | |
|---------------------|---|---|-------------|----------------|--------------|----------------|--------------|----------------|--------------|
| OUTPUT | DC VOLTAGE | 5V | 7.5V | 12V | 13.5V | 15V | 24V | 27V | 48V |
| | RATED CURRENT | 40A | 27A | 17A | 15A | 14A | 8.8A | 7.8A | 4.4A |
| | CURRENT RANGE | 0 ~ 40A | 0 ~ 27A | 0 ~ 17A | 0 ~ 15A | 0 ~ 14A | 0 ~ 8.8A | 0 ~ 7.8A | 0 ~ 4.4A |
| | RATED POWER | 200W | 202.5W | 204W | 202.5W | 210W | 211.2W | 210.6W | 211.2W |
| | RIPPLE & NOISE (max.) Note.2 | 80mVp-p | 100mVp-p | 120mVp-p | 120mVp-p | 120mVp-p | 200mVp-p | 200mVp-p | 200mVp-p |
| | VOLTAGE ADJ. RANGE | 4.5 ~ 5.7V | 6 ~ 9V | 10 ~ 13.2V | 12 ~ 15V | 13.5 ~ 18V | 20 ~ 26.4V | 26 ~ 29V | 45.6 ~ 52.8V |
| | VOLTAGE TOLERANCE Note.3 | 2.0% | 2.0% | 1.0% | 1.0% | 1.0% | 1.0% | 1.0% | 1.0% |
| | LINE REGULATION | 0.5% | 0.5% | 0.5% | 0.5% | 0.5% | 0.5% | 0.5% | 0.5% |
| | LOAD REGULATION | 1.0% | 1.0% | 0.5% | 0.5% | 0.5% | 0.5% | 0.5% | 0.5% |
| | SETUP, RISE TIME | 1000ms, 20ms/230VAC 1000ms, 20ms/115VAC at full load | | | | | | | |
| HOLD UP TIME (Typ.) | 20ms/230VAC 20ms/115VAC at full load | | | | | | | | |
| INPUT | VOLTAGE RANGE | 88 ~ 132VAC / 176~264VAC by switch 248 ~ 370VDC | | | | | | | |
| | FREQUENCY RANGE | 47 ~ 63Hz | | | | | | | |
| | EFFICIENCY (Typ.) | 79% | 82% | 83% | 84% | 85% | 87% | 87% | 87% |
| | AC CURRENT (Typ.) | 4.2A/115VAC | | 2.5A/230VAC | | | | | |
| | INRUSH CURRENT (Typ.) | 35A/115VAC | | 50A/230VAC | | | | | |
| | LEAKAGE CURRENT | <3.5mA / 240VAC | | | | | | | |
| PROTECTION | OVERLOAD | 105 ~ 150% rated output power Protection type : Hiccup mode, recovers automatically after fault condition is removed | | | | | | | |
| | OVER VOLTAGE | 5.75 ~ 6.75V | 9.4 ~ 10.9V | 13.8 ~ 16.2V | 15.5 ~ 18.2V | 18 ~ 21V | 27.6 ~ 32.4V | 31.05 ~ 36.45V | 55.2 ~ 64.8V |
| | OVER TEMPERATURE | RTH1 ≥ 85°C Protection type : Hiccup mode, recovers automatically after fault condition is removed | | | | | | | |
| ENVIRONMENT | WORKING TEMP. | -20 ~ +50°C (Refer to output load derating curve) | | | | | | | |
| | WORKING HUMIDITY | 20 ~ 90% RH non-condensing | | | | | | | |
| | STORAGE TEMP., HUMIDITY | -40 ~ +85°C, 10 ~ 95% RH | | | | | | | |
| | TEMP. COEFFICIENT | 0.03%/°C (0 ~ 50°C) | | | | | | | |
| | VIBRATION | 10 ~ 500Hz, 2G 10min./1cycle, period for 60min. each along X, Y, Z axes | | | | | | | |
| SAFETY & EMC | SAFETY STANDARDS | UL60950-1 approved | | | | | | | |
| | WITHSTAND VOLTAGE | I/P-O/P:3KVAC | | I/P-FG:1.5KVAC | | O/P-FG:0.5KVAC | | | |
| | ISOLATION RESISTANCE | I/P-O/P, I/P-FG, O/P-FG:100M Ohms/500VDC | | | | | | | |
| OTHERS | MTBF | 244.7K hrs min. MIL-HDBK-217F (25°C) | | | | | | | |
| | DIMENSION | 215*115*50mm (L*W*H) | | | | | | | |
| | PACKING | 0.95Kg; 12pcs/12.4Kg/0.92CUFT | | | | | | | |
| NOTE | <ol style="list-style-type: none"> 1. All parameters NOT specially mentioned are measured at 230VAC input, rated load and 25°C of ambient temperature. 2. Ripple & noise are measured at 20MHz of bandwidth by using a 12" twisted pair-wire terminated with a 0.1uf & 47uf parallel capacitor. 3. Tolerance : includes set up tolerance, line regulation and load regulation. | | | | | | | | |

Mechanical Specification

Case No. 912E Unit:mm

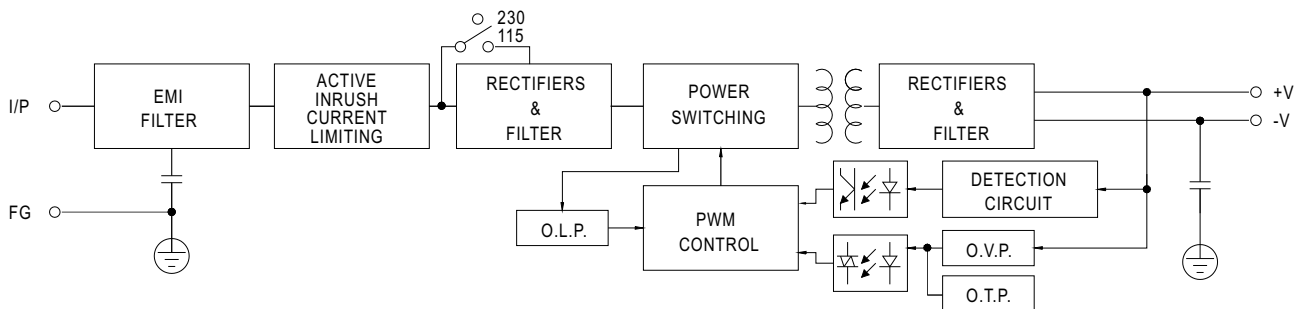


Terminal Pin No. Assignment :

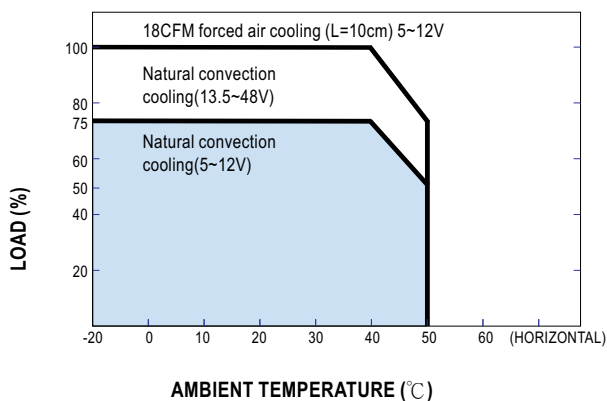
| Pin No. | Assignment | Pin No. | Assignment |
|---------|------------|---------|--------------|
| 1 | AC/L | 4~6 | DC OUTPUT -V |
| 2 | AC/N | 7~9 | DC OUTPUT +V |
| 3 | FG \perp | | |

Block Diagram

fosc : 90KHz



Derating Curve



Static Characteristics

