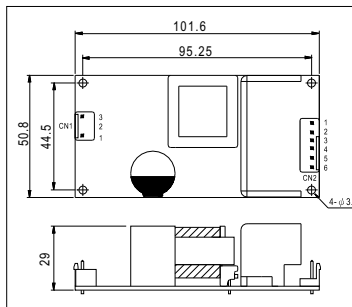


60W 1~3 Output Medical Type

- 4"x2" miniature size
- Universal AC input / Full range
- Medical safety approved
- Protections: Short circuit / Overload / Over voltage
- No load power consumption <0.75W
- Low leakage current <200uA
- 110% peak load capability
- Suitable for medical & IT applications
- High power density 6.57W / in³
- Cooling by free air convection
- 3 years warranty



101.6x 50.8x 29 mm



- AC input voltage range 90~264VAC; 127~370VDC
- AC inrush current Cold start, 30A at 115VAC, 60A at 230VAC
- DC adjustment range -5 ~ +10% rated output voltage (single output only)
- Overload protection 115~150% hiccup mode, auto-recovery
- Over voltage protection ... CH1: 110%~135% rated output voltage
- Leakage current Less than 200uA at 264VAC
- Setup, rise, hold up time... 500ms, 30ms, 50ms at full load and 230VAC (RPS-60)
200ms, 15ms, 70ms at full load and 230VAC (RPD/T-60)
- Withstand voltage I/P - O/P: 4KVAC, I/P - FG: 1.5KVAC, 1 minute
- Working temperature -20~70°C (refer to output derating curve)
- Safety standards UL60601-1, TUV EN60601-1 approved
- EMC standards EN55011 / EN55022 class B, EN61000-3-2, -3,
EN61000-4-2,3,4,5,6,8,11, ENV50204, EN61000-6-2,
EN60601-1-2, EN61204-3 medical level
- Connection 3,4P / 3.96mm pitch, JST P/N: B3P / B4P-VH (RPS-60)
3,6P / 3.96mm pitch, JST P/N: B3P / B6P-VH (RPD/T-60)
- Packing 0.15kg ; 96pcs / 15.4kg / 0.89CUFT

◆Single output

Stock No.	Model No.	Output	Tol.	R&N	Effi.
12781	RPS-60-3.3	3.3V, 0~11A	±2%	80mV	74%
12782	RPS-60-5	5V, 0~11A	±2%	80mV	79%
12783	RPS-60-12	12V, 0~5.5A	±2%	120mV	83%
12784	RPS-60-15	15V, 0~4.4A	±2%	150mV	84%
12785	RPS-60-24	24V, 0~2.75A	±1%	240mV	85%
12786	RPS-60-48	48V, 0~1.375A	±1%	300mV	86%

◆Dual output

Stock No.	Model No.	Output	Tol.	R&N	Effi.	Max.
12791	RPD-60A	5V, 0.5~5.5A	+3%, -2%	80mV	78%	54W
		12V, 0.1~2.2A	±6%	80mV		
12792	RPD-60B	5V, 0.5~3.85A	+3%, -2%	80mV	82%	59W
		24V, 0.1~1.65A	+8%, -4%	100mV		

◆Triple output

Stock No.	Model No.	Output	Tol.	R&N	Effi.	Max.
12801	RPT-60A	5V, 0.5~4.4A	+3%, -2%	80mV	77%	51W
		12V, 0.1~2.2A	±6%	80mV		
		-5V, 0.1~0.55A	+9%, -8%	80mV		
12802	RPT-60B	5V, 0.5~4.4A	+3%, -2%	80mV	78%	55W
		12V, 0.1~2.2A	±6%	80mV		
		-12V, 0.1~0.55A	+6%, -10%	100mV		
12803	RPT-60C	5V, 0.5~4.4A	+3%, -2%	80mV	79%	55W
		15V, 0.1~1.65A	±6%	100mV		
		-15V, 0.1~0.55A	±8%	150mV		
12804	RPT-60D	5V, 0.5~3.85A	+3%, -2%	80mV	79%	52W
		24V, 0.1~1.1A	±6%	150mV		
		12V, 0.1~0.55A	±8%	80mV		
12805	RPT-6003	3.3V, 0.5~5.5A	+3%, -2%	80mV	75%	44W
		5V, 0.3~3.3A	±8%	80mV		
		12V, 0.1~0.77A	±8%	80mV		