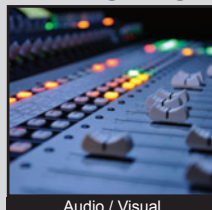


# PV9 SERIES ANTI-VANDAL SWITCH

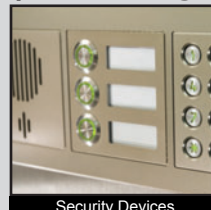
ANTI-VANDAL SWITCHES  
DETECTOR SWITCHES  
DIP SWITCHES  
KEYLOCK SWITCHES  
NAVIGATION SWITCHES  
PUSHBUTTON SWITCHES  
ROCKER SWITCHES  
ROTARY SWITCHES  
SLIDE SWITCHES  
SNAP ACTION SWITCHES  
TACTILE SWITCHES  
TOGGLE SWITCHES  
CAP OPTIONS



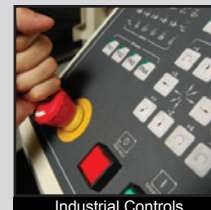
## APPLICATIONS / MARKETS



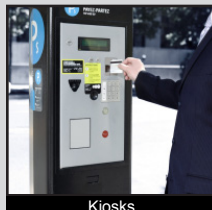
Audio / Visual



Security Devices



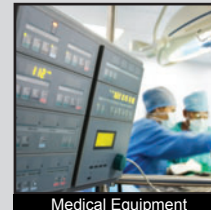
Industrial Controls



Kiosks



Electrical Housewares



Medical Equipment

# RoHS

## SPECIFICATIONS

**Electrical Rating:** 2A, 48VDC  
**Mechanical Life:** 1,000,000 Cycles  
**Electrical Life:** 50,000 Cycles  
**Contact Resistance:** 50mΩ Max.  
**Insulation Resistance:** 1000 MΩ Min. @ 500VDC  
**Dielectric Strength:** 2,000VAC  
**Operating/Storage Temperature:** -20°C to 55°C  
**Travel:** 2.8mm  
**Moisture Protection:** IP65  
**Contact Arrangement:** SPDT or DPDT  
**Actuation Force:** 660 gf  
**Panel Thickness:** 1-10mm  
**Hex Nut Torque:** 5-14Nm

## FEATURES & BENEFITS

- 28mm diameter panel cutout
- Dot or ring illumination options available
- Multiple switch functions available
- Multiple illumination voltage options
- IP65 rated
- SPDT or DPDT

## PART NUMBER CONFIGURATOR

Series	Actuator Options	Terminal Options	Function Options	Rating Options	Body Finish Options	Actuator Finish Options	Lens Style Options	LED Color Options	Illumination Voltage Options
<input type="text" value="PV9"/>	<input type="text" value="F - Flat"/>	<input type="text" value="2 - Solder"/>	<input type="text" value="Y - 1P OFF-(ON), 1P ON-(OFF)*&lt;br/&gt;T - 1P OFF-ON, 1P ON-OFF&lt;br/&gt;V - 2P OFF-(ON), 2P ON-(OFF)*&lt;br/&gt;U - 2P OFF-ON, 2P ON-OFF"/>	<input type="text" value="0 - 2A, 48VDC"/>	<input type="text" value="N - Nickel Plated&lt;br/&gt;S - Stainless Steel"/>	<input type="text" value="N - Nickel Plated&lt;br/&gt;S - Stainless Steel"/>	<input type="text" value="NONE - Non-Illuminated&lt;br/&gt;2 - Dot Illumination&lt;br/&gt;3 - Ring Illumination"/>	<input type="text" value="NONE - Non-Illuminated&lt;br/&gt;0 - White&lt;br/&gt;1 - Red&lt;br/&gt;2 - Orange&lt;br/&gt;3 - Green&lt;br/&gt;4 - Blue&lt;br/&gt;5 - Yellow&lt;br/&gt;F - Red/Orange&lt;br/&gt;G - Red/Green&lt;br/&gt;H - Red/Blue&lt;br/&gt;J - Red/Yellow&lt;br/&gt;K - Orange/Green&lt;br/&gt;L - Orange/Blue&lt;br/&gt;M - Orange/Yellow"/>	<input type="text" value="NONE - Non-Illuminated&lt;br/&gt;1 - Base Voltage&lt;sup&gt;‡&lt;/sup&gt;&lt;br/&gt;3 - 6V&lt;br/&gt;4 - 12V&lt;br/&gt;5 - 24V&lt;br/&gt;6 - 125V&lt;br/&gt;7 - 250V"/>
<p><b>NOTES:</b>                      * ( ) denotes function is momentary  <sup>‡</sup> Base voltage for LED colors red, yellow, and orange is 1.8V @ 20mA  <sup>‡</sup> Base voltage for LED colors blue, green and white is 2.8V @ 20mA</p>									

*Specifications subject to change without notice*



**E-SWITCH®**

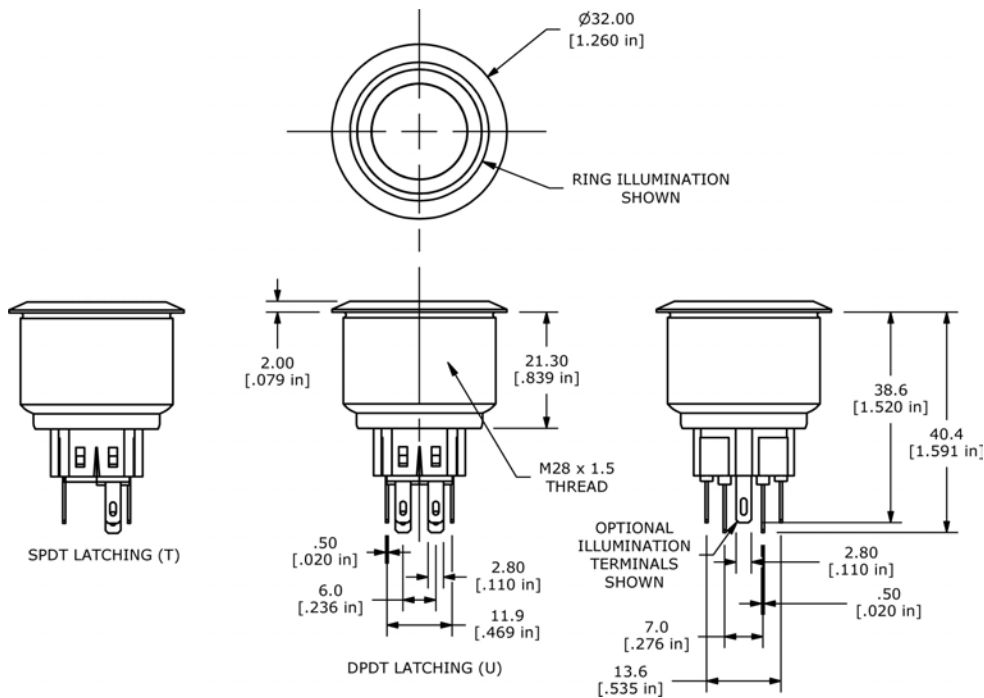
www.e-switch.com

800.867.2717

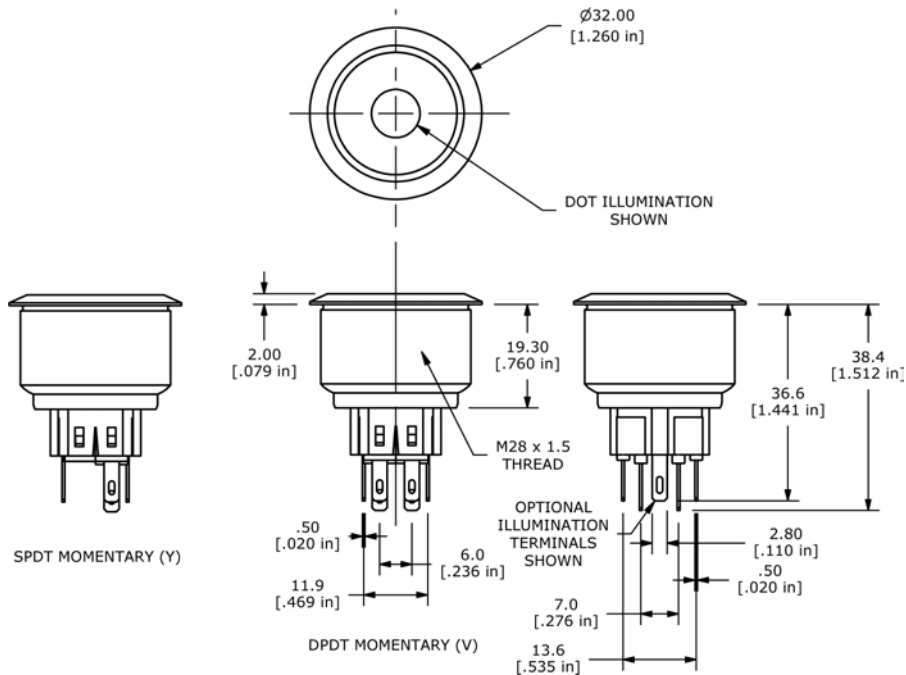
2

# PV9 SERIES ANTI-VANDAL SWITCH

## BODY DIMENSIONS



LATCHING SWITCH DIMENSIONS



MOMENTARY SWITCH DIMENSIONS

ANTI-VANDAL SWITCHES

DETECTOR SWITCHES

DIP SWITCHES

KEYLOCK SWITCHES

NAVIGATION SWITCHES

PUSHBUTTON SWITCHES

ROCKER SWITCHES

ROTARY SWITCHES

SLIDE SWITCHES

SNAP ACTION SWITCHES

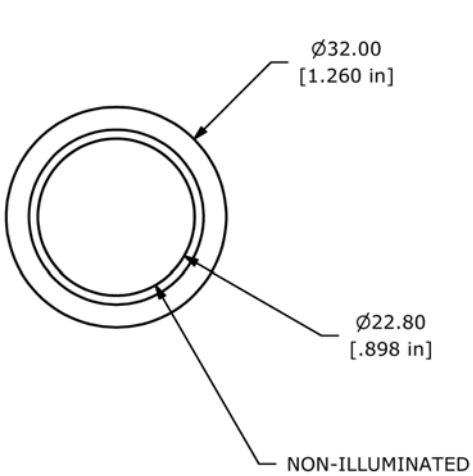
TACTILE SWITCHES

TOGGLE SWITCHES

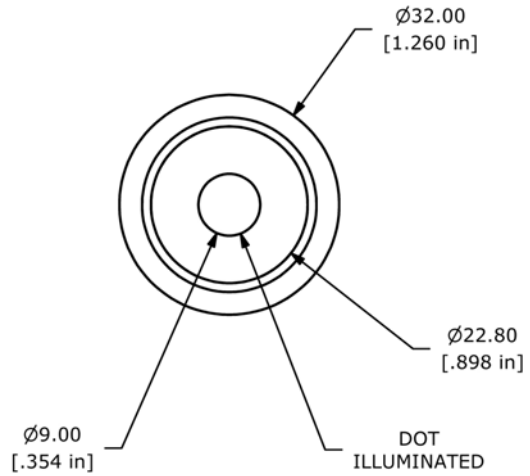
CAP OPTIONS



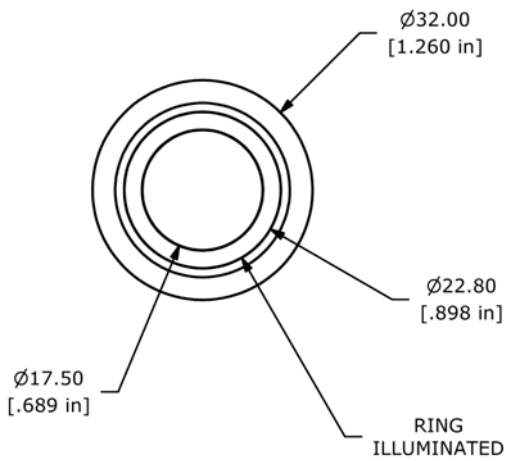
## ACTUATOR OPTIONS



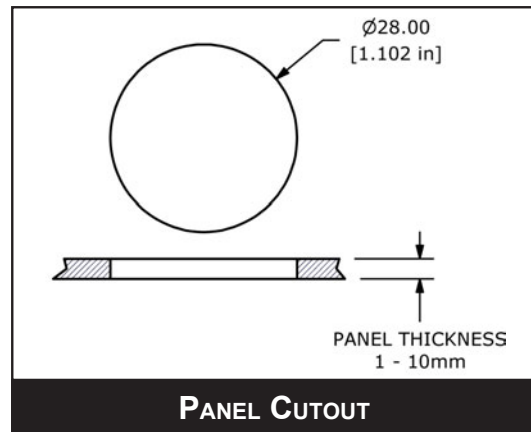
NON-ILLUMINATED



DOT ILLUMINATED



RING ILLUMINATED



## SCHEMATICS

