

# RP8200 SERIES PUSHBUTTON SWITCH

ANTI-VANDAL SWITCHES  
 DETECTOR SWITCHES  
 DIP SWITCHES  
 KEYLOCK SWITCHES  
 NAVIGATION SWITCHES  
**PUSHBUTTON SWITCHES**  
 ROCKER SWITCHES  
 ROTARY SWITCHES  
 SLIDE SWITCHES  
 SNAP ACTION SWITCHES  
 TACTILE SWITCHES  
 TOGGLE SWITCHES  
 CAP OPTIONS



## APPLICATIONS / MARKETS



Audio / Visual



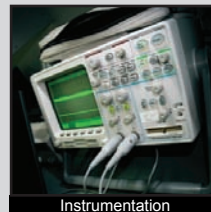
Electrical Housewares



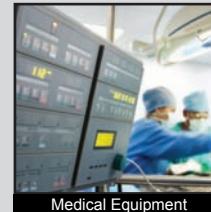
Floor Care Appliances



White Goods



Instrumentation



Medical Equipment

# RoHS

## SPECIFICATIONS

**Electrical Rating:** 100mA @ 24VDC  
**Life Expectancy:** 200,000 Cycles  
**Contact Resistance:** 100mΩ Max.  
**Insulation Resistance:** 1,000MΩ Min. @ 500VDC  
**Dielectric Strength:** 1,000VAC for 1 minute  
**Operating Temperature:** -30°C to 85°C  
**Travel:** 2.5mm  
**Contact Arrangement:** SPST, Off-On, Maintained  
**Actuation Force:** 560 gf  
**Panel Thickness:** 1.5mm - 5.5mm  
**Panel Cutout:** 13.6mm diameter  
**Ingress Protection:** IP67

## FEATURES & BENEFITS

- Threaded mount
- 200,000 life expectancy
- LED illumination options
- Sealed to IP67 ratings

## PART NUMBER CONFIGURATOR

Series	Bushing	Termination	Contact Material	Seal	Housing Color	Cap Color	LED Color
<input type="checkbox"/> <input type="checkbox"/> <input type="checkbox"/> <input type="checkbox"/> <input type="checkbox"/> RP8200	<input type="checkbox"/> <input type="checkbox"/> B2 - Threaded (12 x 0.75)	<input type="checkbox"/> <input type="checkbox"/> M1 - Standard	<input type="checkbox"/> C - Gold Over Silver	<input type="checkbox"/> E - Epoxy Sealed	<input type="checkbox"/> <input type="checkbox"/> <input type="checkbox"/> BLK - Black	<input type="checkbox"/> <input type="checkbox"/> <input type="checkbox"/> WHT - White BLK - Black RED - Red YEL - Yellow ORG - Orange YEL - Yellow GRN - Green BLU - Blue	<input type="checkbox"/> <input type="checkbox"/> <input type="checkbox"/> WHT - White LED RED - Red LED YEL - Yellow LED GRN - Green LED BLU - Blue LED NIL - Non Illuminated

*Specifications subject to change without notice*



**E-SWITCH®**

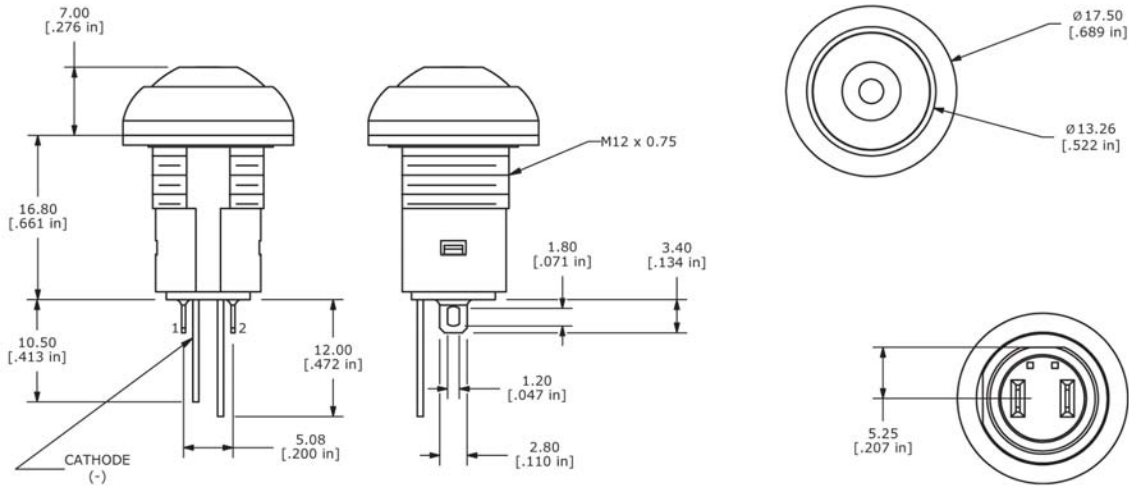
www.e-switch.com

800.867.2717

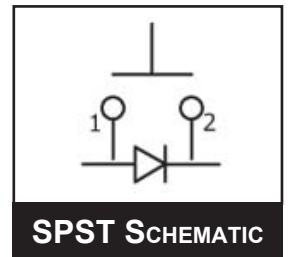
2

# RP8200 SERIES PUSHBUTTON SWITCH

## BODY DIMENSIONS ILLUMINATED



LED SPECIFICATIONS		
LED PARAMETER	UNITS	RED LED
FORWARD CURRENT	mA	20
FORWARD VOLTAGE	V	2.1 TYP, 2.6 MAX.
LUMINOUS INTENSITY	mcd	43 MIN-100TYP



## BODY DIMENSIONS NON-ILLUMINATED

