

ANTI-VANDAL SWITCHES
 DETECTOR SWITCHES
 DIP SWITCHES
 KEYLOCK SWITCHES
 NAVIGATION SWITCHES
 PUSHBUTTON SWITCHES
 ROCKER SWITCHES
 ROTARY SWITCHES
 SLIDE SWITCHES
 SNAP ACTION SWITCHES
 TACTILE SWITCHES
 TOGGLE SWITCHES
 CAP OPTIONS



APPLICATIONS / MARKETS



RoHS

SPECIFICATIONS

Electrical Rating: 125mA, 125VAC
 100mA, 50VDC
Life Expectancy: 500,000 Cycles
Contact Resistance: 50mΩ Max.
Insulation Resistance: 1,000MΩ Min. at 500VDC
Dielectric Strength: 1,500VAC for 1 Minute
Operating Temperature: -30°C to 85°C
Operating Force: 350gf ± 150gf
Travel: 1.5mm ± 0.25mm

Panel Cutout: 13.6mm Diameter
Panel Thickness Range: 1.5mm - 4.0mm
Function: SPST, Off-(On), Momentary

FEATURES & BENEFITS

- Threaded mount
- 500,000 cycle life expectancy
- Metal die cast housing
- LED illuminated options
- Sealed to IP65

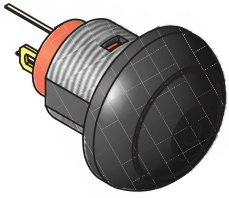
PART NUMBER CONFIGURATOR

Series	Bushing	Terminal	Contact Material	Seal	Housing Color	Cap Color	LED Color
<input type="checkbox"/> <input type="checkbox"/> <input type="checkbox"/> <input type="checkbox"/> <input type="checkbox"/> <input type="checkbox"/> RP8300	<input type="checkbox"/> <input type="checkbox"/> B2 - Threaded (12 x .75)	<input type="checkbox"/> <input type="checkbox"/> M1 - Standard	<input type="checkbox"/> C - Gold Over Silver	<input type="checkbox"/> E - Epoxy	<input type="checkbox"/> <input type="checkbox"/> <input type="checkbox"/> BLK - Black NIC - Stain Nickel CHR - Chrome	<input type="checkbox"/> <input type="checkbox"/> <input type="checkbox"/> WHT - White BLK - Black RED - Red ORG - Orange YEL - Yellow GRN - Green BLU - Blue	<input type="checkbox"/> <input type="checkbox"/> <input type="checkbox"/> WHT - White LED RED - Red LED YEL - Yellow LED GRN - Green LED BLU - Blue LED NIL - Non-Illuminated

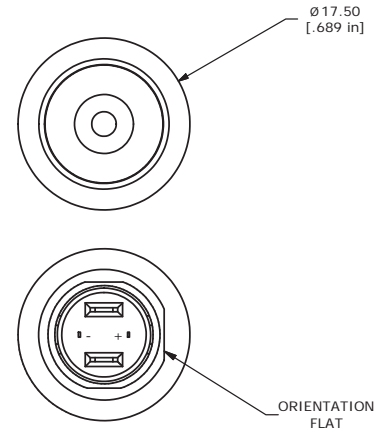
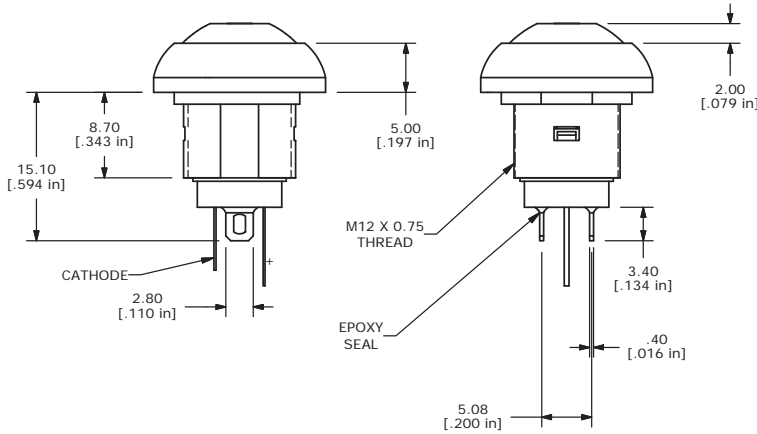
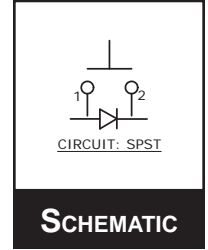
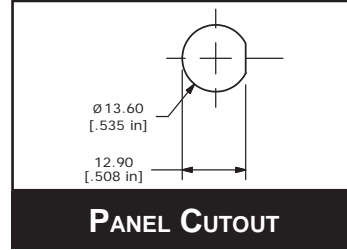
Specifications subject to change without notice



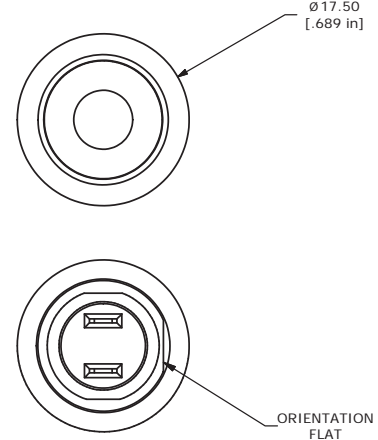
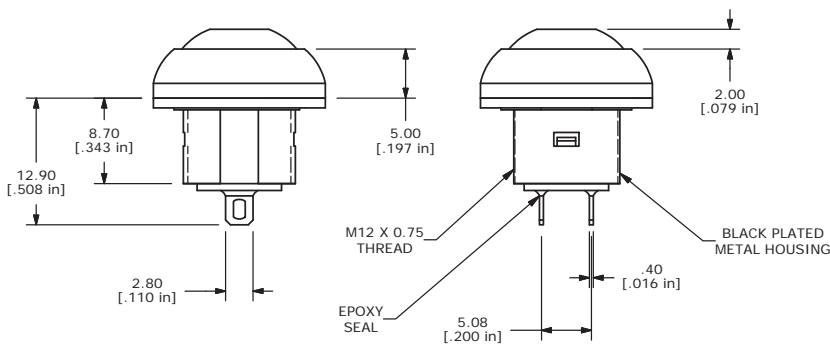
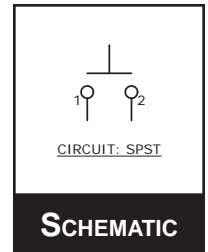
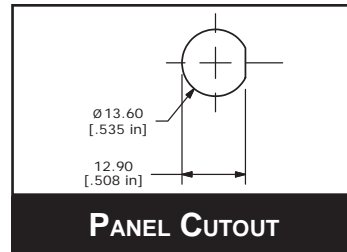
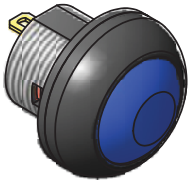
RP8300 WITH LED



LED SPECS	UNITS	BLUE	
FORWARD CURRENT	mA	20 NOMINAL	
FORWARD VOLTAGE @20mA	V	2.8 TYP.	3.2 MAX.
LUMINOUS INTENSITY @ 20mA	mcd	70 TYP.	28 MIN.

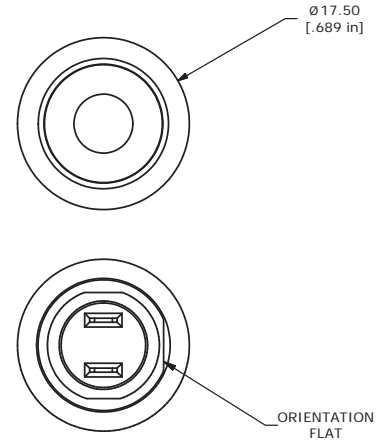
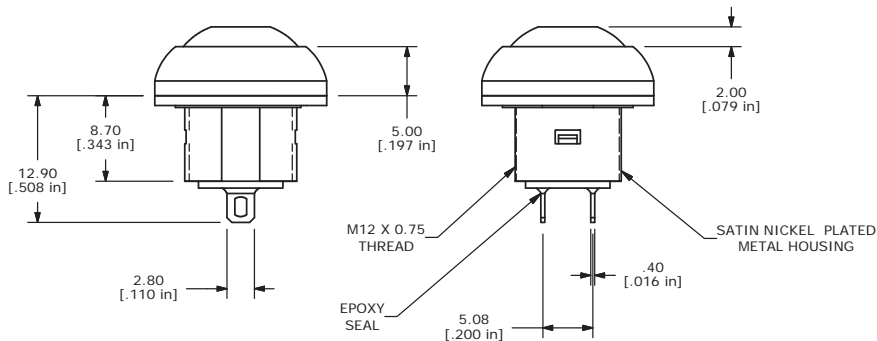
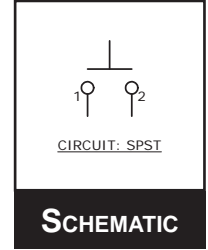
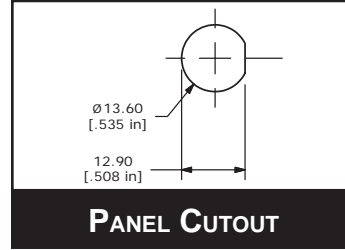
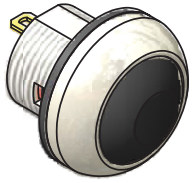


RP8300 WITHOUT LED

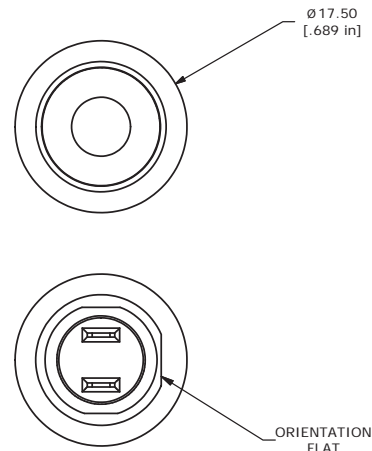
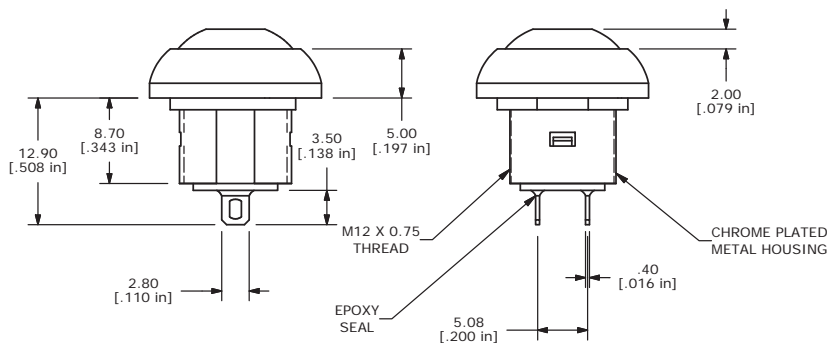
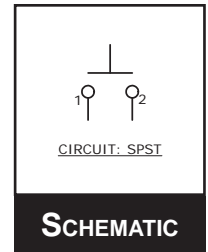
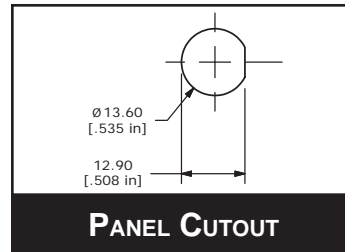


ANTI-VANDAL SWITCHES
 DETECTOR SWITCHES
 DIP SWITCHES
 KEYLOCK SWITCHES
 NAVIGATION SWITCHES
PUSHBUTTON SWITCHES
 ROCKER SWITCHES
 ROTARY SWITCHES
 SLIDE SWITCHES
 SNAP ACTION SWITCHES
 TACTILE SWITCHES
 TOGGLE SWITCHES
 CAP OPTIONS

RP8300 NICKEL BODY



RP8300 CHROME BODY



ANTI-VANDAL SWITCHES
DETECTOR SWITCHES
DIP SWITCHES
KEYLOCK SWITCHES
NAVIGATION SWITCHES
PUSHBUTTON SWITCHES
ROCKER SWITCHES
ROTARY SWITCHES
SLIDE SWITCHES
SNAP ACTION SWITCHES
TACTILE SWITCHES
TOGGLE SWITCHES
CAP OPTIONS