

## SCHOTTKY BARRIER RECTIFIERS

Reverse Voltage: 150---200V  
Forward Current: 20A

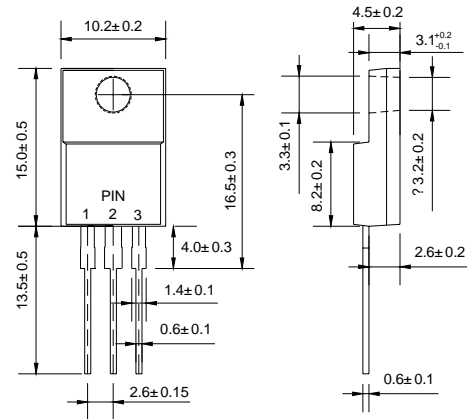
### FEATURES

- Metal-Semiconductor junction with guard ring
- Epitaxial construction
- Low forward voltage drop, low swithing losses
- High surge capacity
- For use in low voltage, high frequency inverters free wheeling, and polarity protection applications
- The plastic material carries U/L recognition 94V-0

### MECHANICAL DATA

- **Case:** JEDEC ITO-220AB, molded plastic body
- **Terminals:** Solderable per MIL-STD-750, Method 2026
- **Polarity:** As marked
- **Mounting Position:** Any
- **Weight:** 0.08 ounce, 2.24 grams

### ITO-220AB



Dimensions in millimeters

### MAXIMUM RATINGS AND ELECTRICAL CHARACTERISTICS

Ratings at 25°C ambient temperature unless otherwise specified.

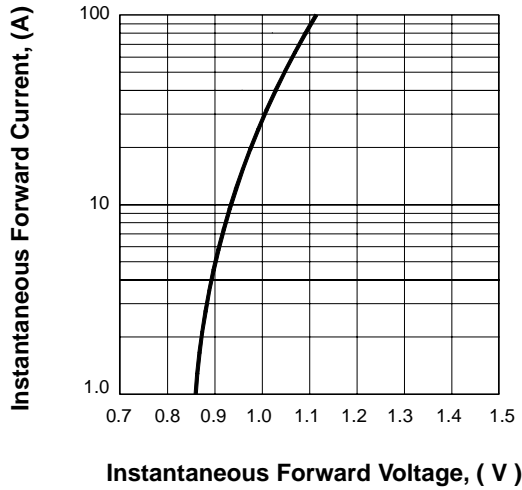
Single phase, half wave, 60Hz, resistive or inductive load. For capacitive load, derate current by 20%.

Parameter	Symbol	MBRF20150CT	MBRF20200CT	UNITS
Maximum recurrent peak reverse voltage	$V_{RRM}$	150	200	V
Maximum RMS voltage	$V_{RWS}$	135	140	V
Maximum DC blocking voltage	$V_{DC}$	150	200	V
Maximum average forward total device rectified current @ $T_C=100^\circ\text{C}$	$I_{(AV)}$	20		A
Peak forward surge current 8.3ms single half sine-wave superimposed on rated load	$I_{FSM}$	150		A
Maximum instantaneous forward voltage @10A	$V_F$	0.95		V
Maximum reverse current @ $T_A=25^\circ\text{C}$ at rated DC blocking voltage @ $T_A=100^\circ\text{C}$	$I_R$	0.2 50		mA
Maximum thermal resistance (Note1)	$R_{\theta JC}$	1.5		$^\circ\text{C/W}$
Operating junction temperature range	$T_J$	-55 --- +150		$^\circ\text{C}$
Storage temperature range	$T_{STG}$	-55 --- +150		$^\circ\text{C}$

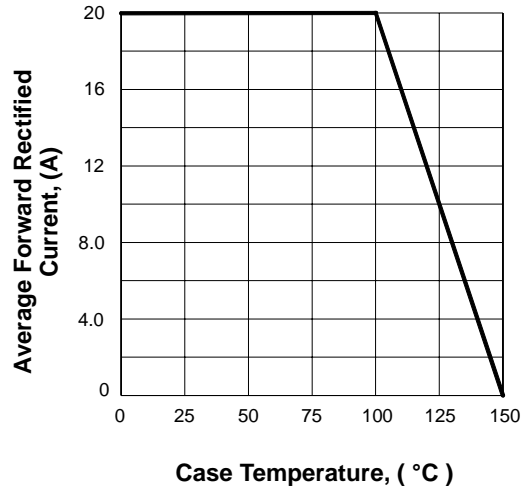
NOTES: 1. Thermal resistance from junction to case.

www.galaxycn.com

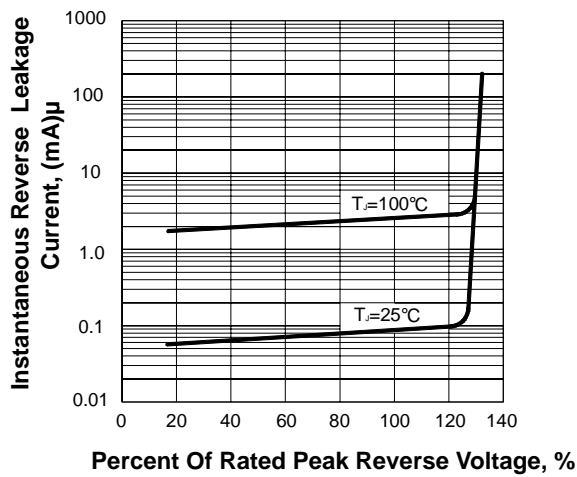
**FIG.1 TYPICAL FORWARD CHARACTERISTICS**



**FIG.2 FORWARD DERATING CURVE**



**FIG.3 TYPICAL REVERSE CHARACTERISTICS**



**FIG.4 PEAK FORWARD SURGE CURRENT**

