

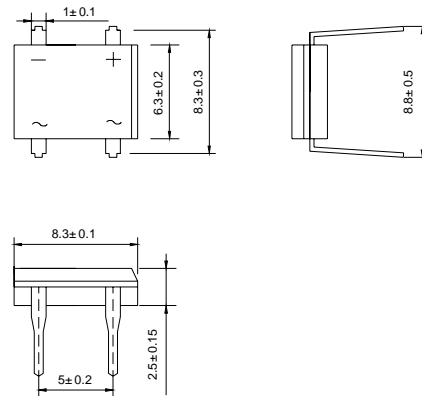
### SILICON BRIDGE RECTIFIERS

VOLTAGE RANGE: 50 --- 1000 V  
CURRENT: 2.0 A

#### FEATURES

- ◇ Rating to 1000V PRV
- ◇ Surge overload rating to 40 Amperes peak
- ◇ Ideal for printed circuit board
- ◇ Reliable low cost construction utilizing molded plastic technique results in inexpensive product
- ◇ Lead solderable per MIL-STD-202 method 208
- ◇ Lead: silver plated copper, solderde plated
- ◇ Plastic material has UL flammability classification 94V-O
- ◇ Polarity symbols molded on body
- ◇ Weight: 0.016 ounces,0.45 grams

#### DB - 1



Dimensions in millimeters

#### MAXIMUM RATINGS AND ELECTRICAL CHARACTERISTICS

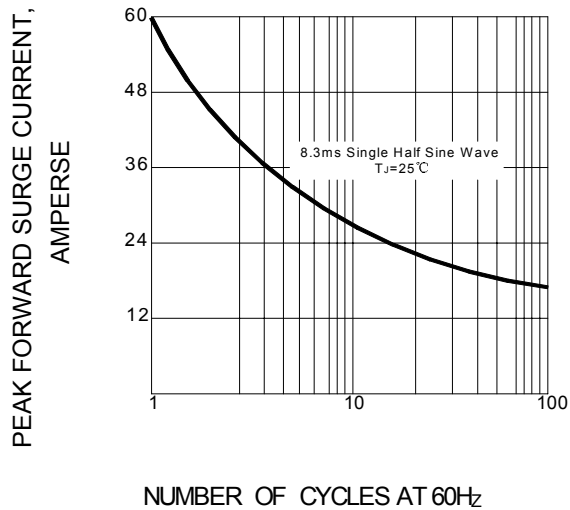
Ratings at 25°C ambient temperature unless otherwise specified.

Single phase, half wave, 60 Hz, resistive or inductive load. For capacitive load, derate by 20%.

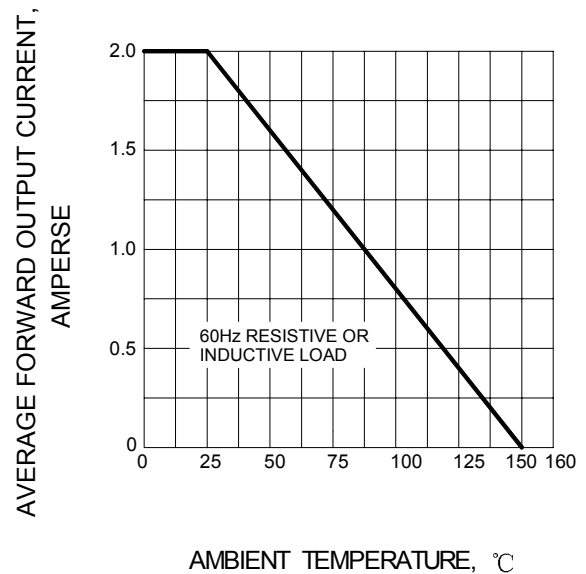
|  |             | DB201           | DB202 | DB203 | DB204 | DB205 | DB206 | DB207 | UNITS         |
|--|-------------|-----------------|-------|-------|-------|-------|-------|-------|---------------|
| Maximum recurrent peak reverse voltage   | $V_{RRM}$   | 50              | 100   | 200   | 400   | 600   | 800   | 1000  | V             |
| Maximum RMS voltage  | $V_{RMS}$   | 35              | 70    | 140   | 280   | 420   | 560   | 700   | V             |
| Maximum DC blocking voltage  | $V_{DC}$    | 50              | 100   | 200   | 400   | 600   | 800   | 1000  | V             |
| Maximum average forward Output current @ $T_A=25^\circ C$                                      | $I_{F(AV)}$ | 2.0             |       |       |       |       |       |       | A             |
| Peak forward surge current<br>8.3ms single half-sine-wave<br>superimposed on rated load        | $I_{FSM}$   | 60              |       |       |       |       |       |       | A             |
| Maximum instantaneous forward voltage at 2.0 A   | $V_F$       | 1.1             |       |       |       |       |       |       | V             |
| Maximum reverse current @ $T_A=25^\circ C$<br>at rated DC blocking voltage @ $T_A=100^\circ C$ | $I_R$       | 5.0<br>0.5      |       |       |       |       |       |       | $\mu A$<br>mA |
| Operating junction temperature range   | $T_J$       | - 55 ---- + 150 |       |       |       |       |       |       | $^\circ C$    |
| Storage temperature range  | $T_{STG}$   | - 55 ---- + 150 |       |       |       |       |       |       | $^\circ C$    |

www.galaxycn.com

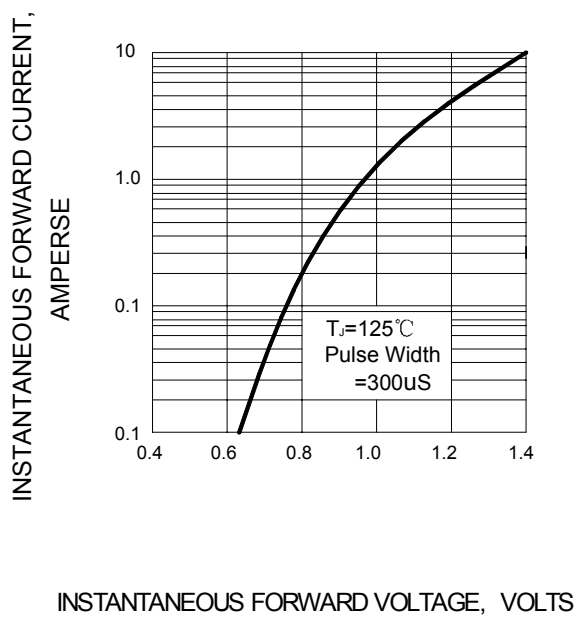
**FIG.1 – PEAK FORWARD SURGE CURRENT**



**FIG.2 – FORWARD DERATING CURVE**



**FIG.3 – TYPICAL FORWARD CHARACTERISTIC**



**FIG.4 – TYPICAL REVERSE CHARACTERISTIC**

